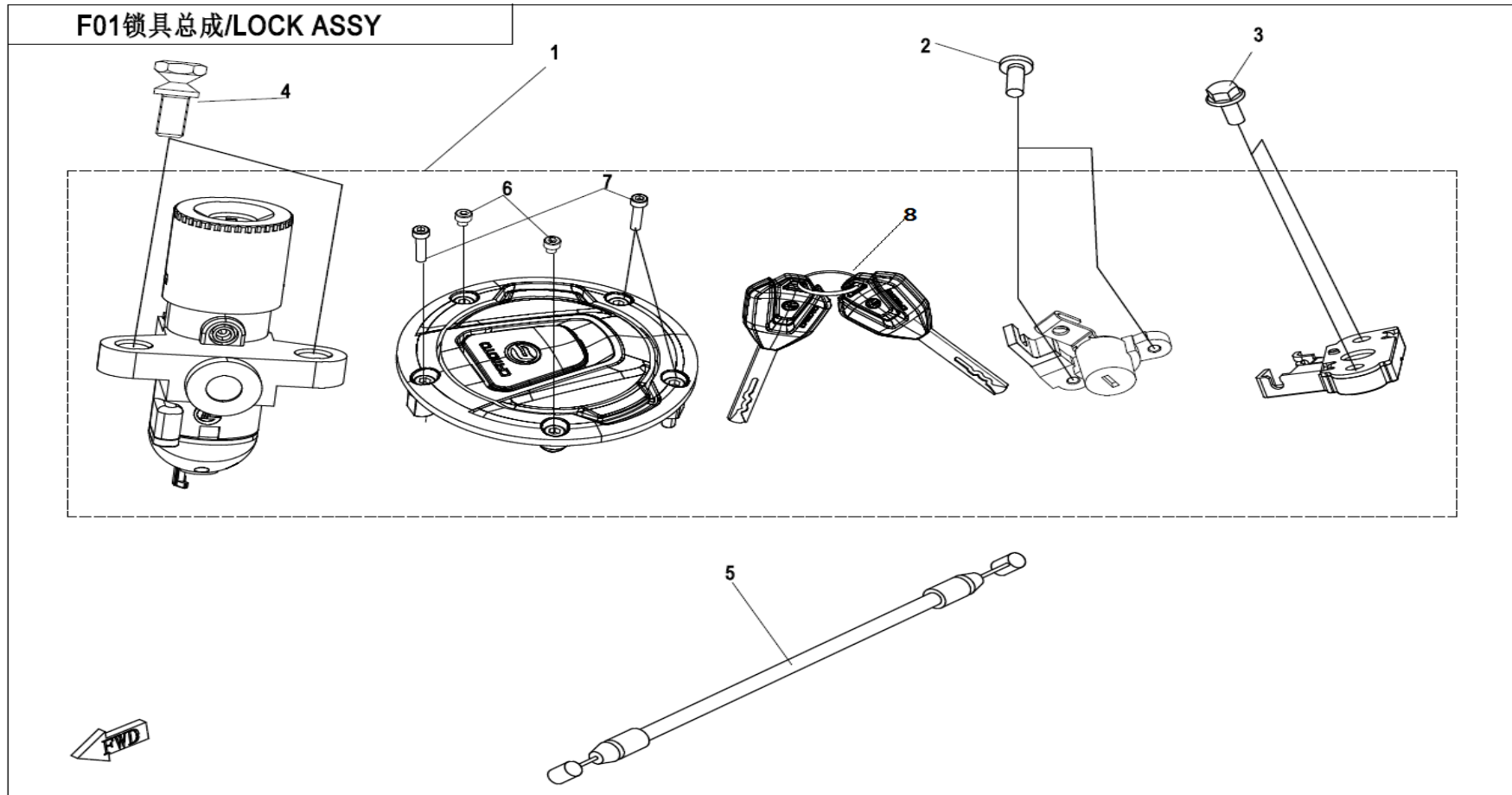
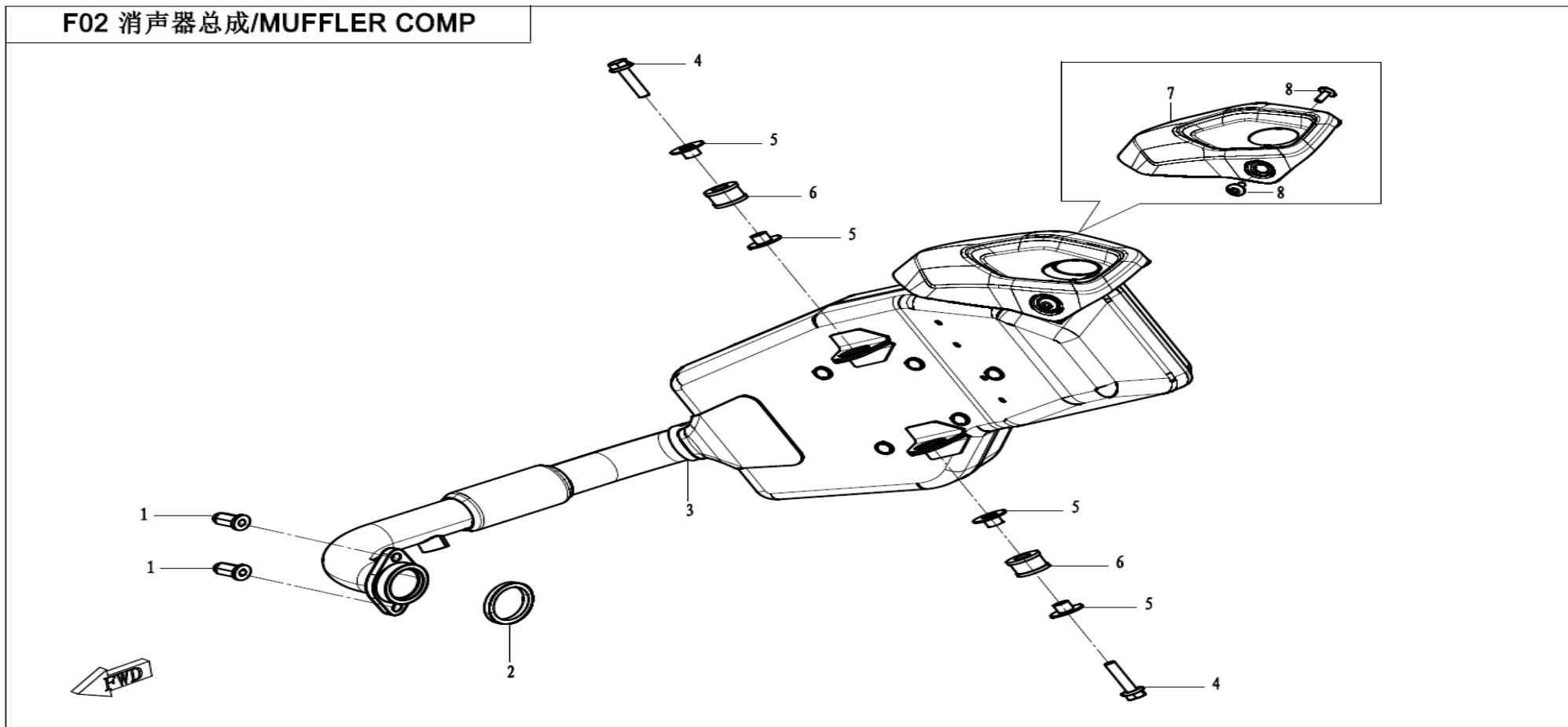


F01 LOCK KIT

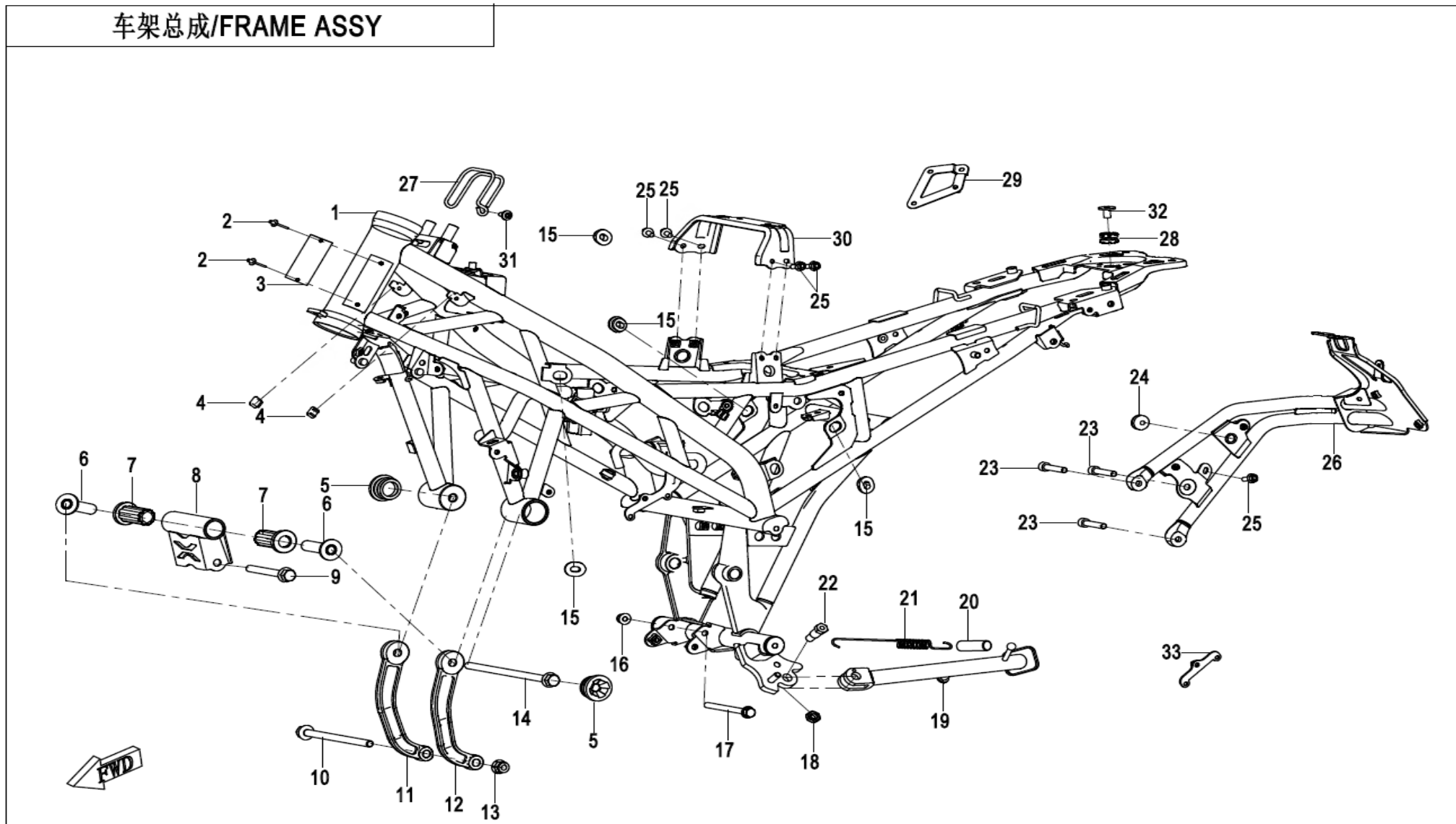


| NO. | CODE | EN DESCRIPTION | QTY | REMARKS |
|--------|------------------|-----------------------|-----|---------|
| F01-01 | 6GUV-011000-6002 | LOCK KIT | 1 | |
| F01-02 | 30102-050012810 | SCREW M5x12 | 2 | |
| F01-03 | 30006-060016810 | BOLT M6x16 | 2 | |
| F01-04 | 6KJ0-010001 | BOLT | 2 | |
| F01-05 | 6KMV-010010-C000 | CABLE, SEAT | 1 | |
| F01-06 | 30102-050008900 | INNER HEX SCREW M5x8 | 2 | |
| F01-07 | 30102-050025900 | INNER HEX SCREW M5x25 | 3 | |
| F01-08 | 6KMV-011020-B001 | KEY | 2 | |



| NO. | CODE | EN DESCRIPTION | QTY | REMARKS |
|--------|------------------|---------------------------|-----|---------|
| F02-01 | 8010-020001 | NUT M8, MUFFLER JOINT | 2 | |
| F02-02 | 6KM0-020010 | SEAL WASHER, EXHAUST PORT | 1 | |
| F02-03 | 6KMV-021000-C001 | MUFFLER ASSY | 1 | |
| F02-04 | 30006-080035810 | BOLT M8x35 | 2 | |
| F02-05 | A000-020005 | BUSHING | 4 | |
| F02-06 | A000-020004 | DAMPER, MUFFLER | 2 | |
| F02-07 | 6KMV-021001-C000 | GUARD, MUFFLER | 1 | |
| F02-08 | A000-040702 | INNER HEX SCREW M6x12 | 2 | |

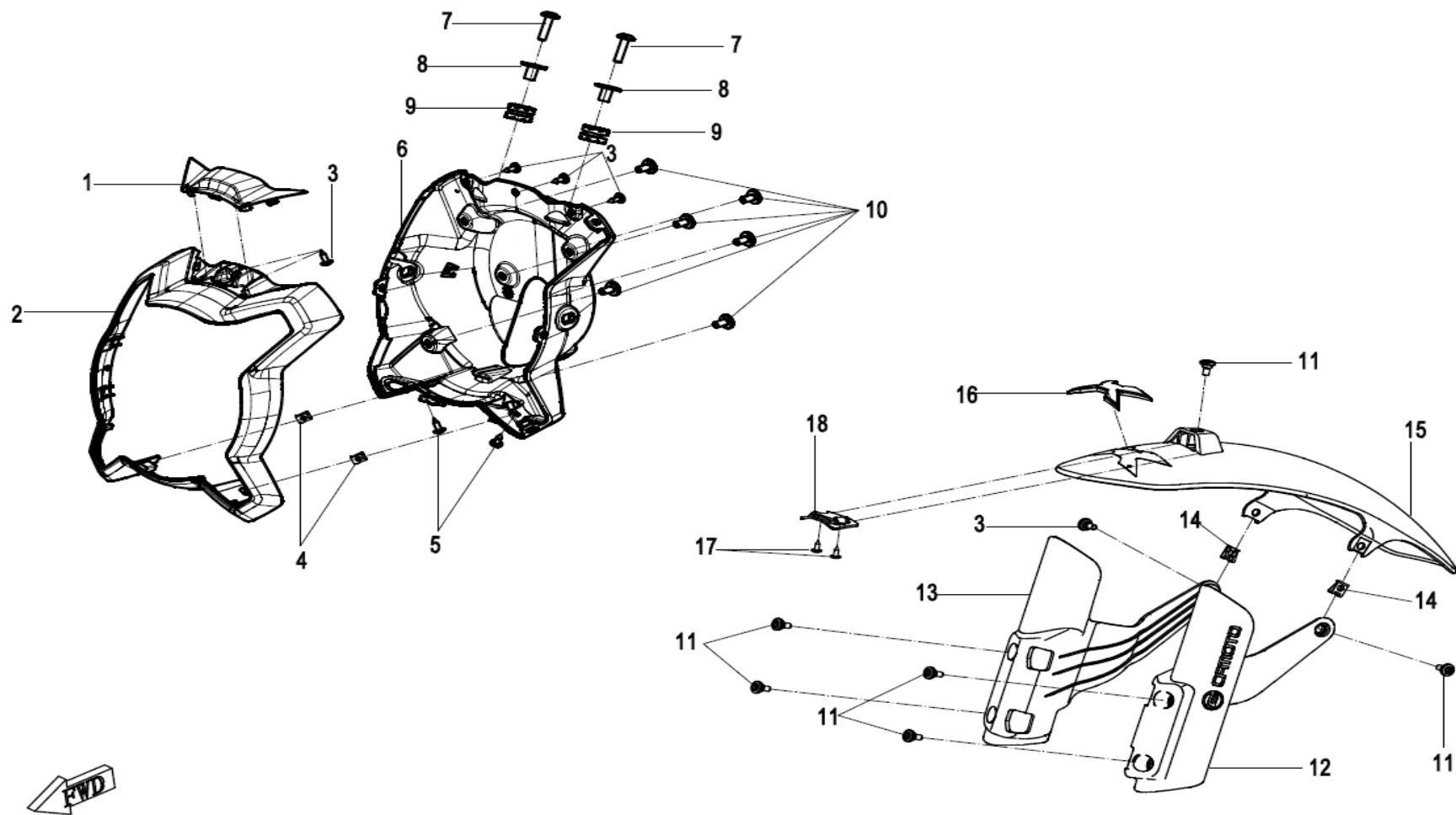
车架总成/FRAME ASSY



| NO. | CODE | EN DESCRIPTION | QTY | REMARKS |
|--------|---------------------------|----------------|-----|---------|
| F03-01 | 6KMV-031000-C001-01-0BY00 | FRAME | 1 | |
| F03-02 | 30902-0400820 | BLIND RIVET | 2 | |

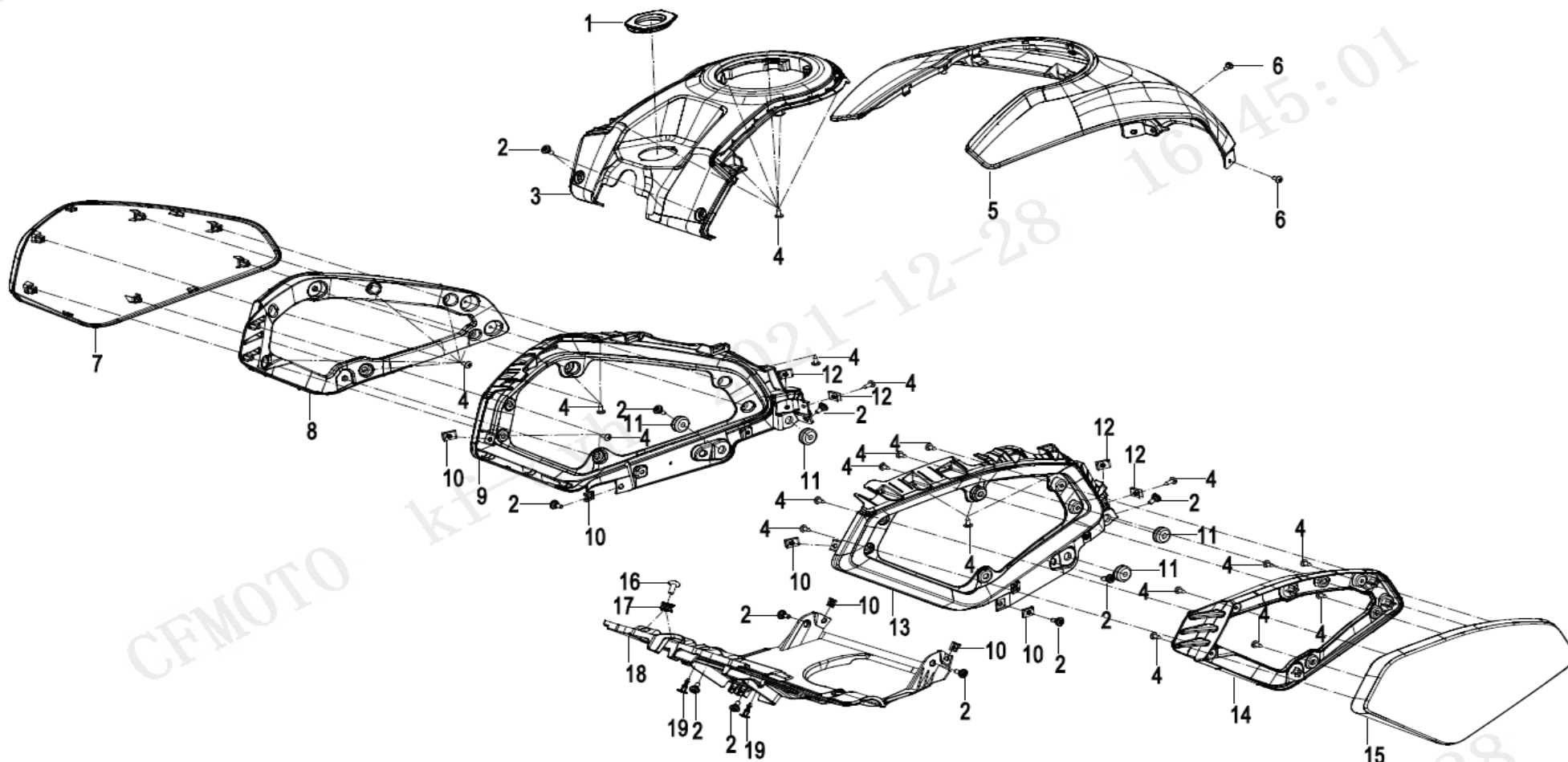
| NO. | CODE | EN DESCRIPTION | QTY | REMARKS |
|--------|------------------------|--------------------------------------|-----|---------|
| F03-03 | 6FIA-190012 | | 1 | |
| F03-04 | 6GU#-021005-6000 | GUARD RUBBER SLEEVE | 2 | |
| F03-05 | 6GU#-140097-6000 | FRONT DECO CLASP, FRAME | 2 | |
| F03-06 | 6KMV-030030-2000 | T-TYPE BUSHING ASSY | 2 | |
| F03-07 | 6KMV-030003-2000 | FRONT DAMPING RUBBER, ENGINE | 2 | |
| F03-08 | 6KMV-030010-2000 | FRONT CONNECTING BRACKET, ENGINE | 1 | |
| F03-09 | 30006-102080810 | BOLT M10x1.25x80 | 1 | |
| F03-10 | 30006-102140810 | BOLT M10x1.25x140 | 1 | |
| F03-11 | 6KMV-030002-2001 | RH BRACKET, ENGINE | 1 | |
| F03-12 | 6KMV-030001-2001 | LH BRACKET, ENGINE | 1 | |
| F03-13 | 30204-102810 | NUT M10x1.25 | 1 | |
| F03-14 | 30006-102180810 | BOLT M10x1.25x180 | 1 | |
| F03-15 | 8080-040064 | DAMPER, FRONT FENDER | 4 | |
| F03-16 | 30204-080810 | NUT M8 | 1 | |
| F03-17 | 30006-080090810 | BOLT M8x90 | 1 | |
| F03-18 | 30208-102010 | NUT M10x1.25 | 1 | |
| F03-19 | 6KMV-030200-B000-0BP00 | SIDE BRACKET ASSY | 1 | |
| F03-20 | A000-030004 | SPRING COLLAR, SIDE STAND | 1 | |
| F03-21 | 6KMV-030060-C000 | SPRING KIT, SIDE STAND | 1 | |
| F03-22 | A000-030006 | BOLT, SIDE STAND | 1 | |
| F03-23 | 30102-080020870 | SCREW M8x20 | 3 | |
| F03-24 | A000-040302 | RUBBER DAMPER | 1 | |
| F03-25 | 30006-060012810 | BOLT M6x12 | 5 | |
| F03-26 | 6KMV-030300-C000-0BY00 | BRACKET, REAR FENDER | 1 | |
| F03-27 | 6KMV-030005-C000 | WIRE CLIP, FRAME | 1 | |
| F03-28 | 5020-031001 | RUBBER SLEEVE, FRONT LICENSE BRACKET | 1 | |
| F03-29 | 6KMV-030050-C001 | BRACKET, REGULATOR | 1 | |
| F03-30 | 6KMV-030020-C000 | REAR BRACKET, FUEL TANK | 1 | |
| F03-31 | 6WWV-046702-5000 | INNER HEX SCREW M6x12 | 1 | |
| F03-32 | 6KMV-000202-C000 | T-BUSHING KIT | 1 | |
| F03-33 | 6KM0-030030-0B200 | BRACKET, CANISTER | 1 | |

塑料件 I / PLASTICS I



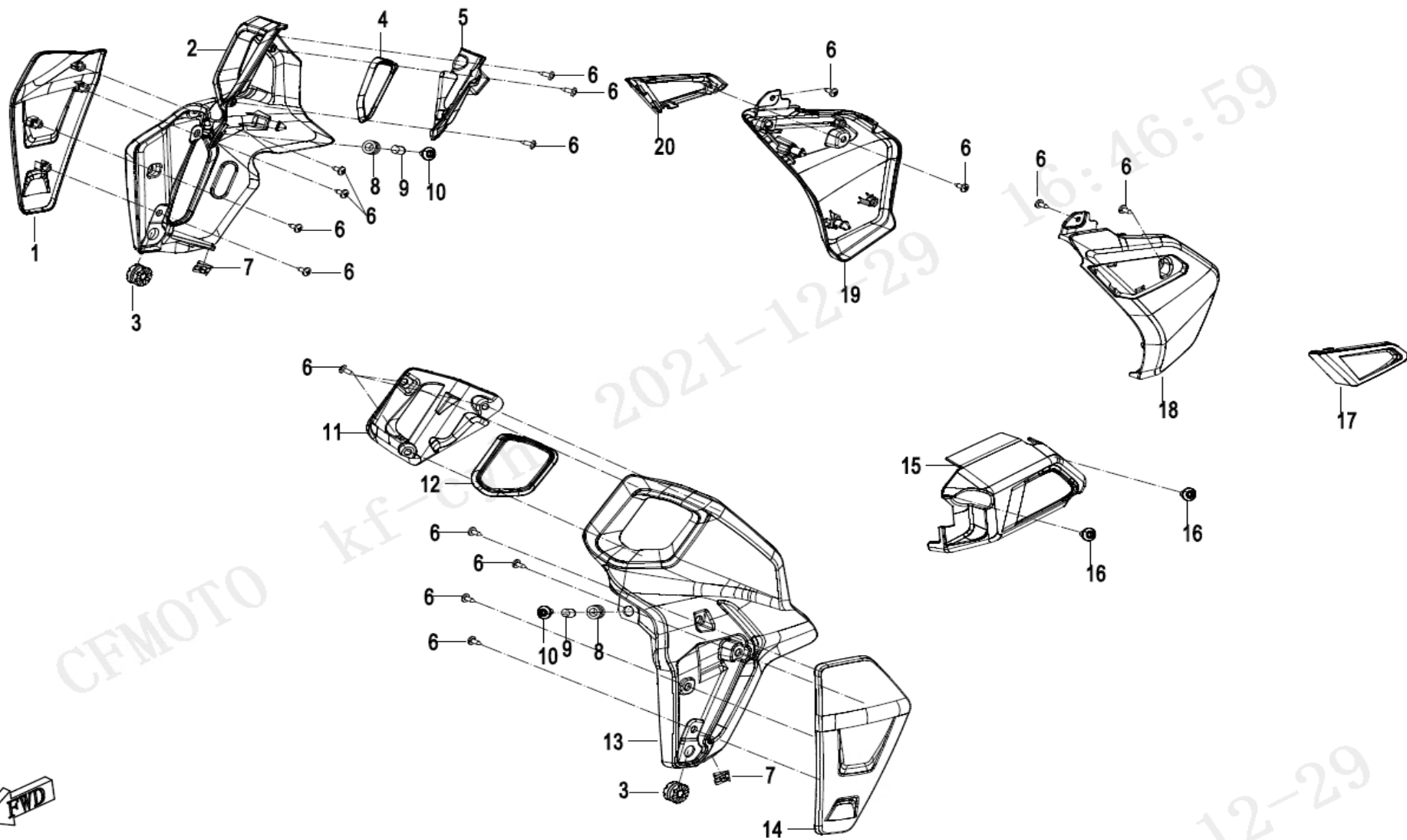
| NO. | CODE | EN DESCRIPTION | QTY | REMARKS |
|----------|------------------------|--------------------------------------|-----|---------|
| F04-1-01 | 6KMV-040201-C000-0BM00 | UPPER DECO PLATE, HEADLIGHT | 1 | |
| F04-1-02 | 6KMV-040202-C000-0BU00 | FRONT GUARD, HEADLIGHT | 1 | |
| F04-1-03 | 30110-420130070 | SELF-TAPPING SCREW ST4.2x13-C-H | 5 | |
| F04-1-04 | 8010-000002 | CLAMP ST4.2 | 2 | |
| F04-1-05 | 30110-421130010 | SELF-TAPPING SCREW ST4.2x13 | 2 | |
| F04-1-06 | 6KMV-040203-C000 | FRONT GUARD, HEADLIGHT | 1 | |
| F04-1-07 | 6WV-047002-5000 | INNER HEX SCREW M6x25 | 2 | |
| F04-1-08 | 6GU#-000202-6000 | T SHAPE BUSHING KIT | 2 | |
| F04-1-09 | 5020-031001 | RUBBER SLEEVE, FRONT LICENSE BRACKET | 2 | |
| F04-1-10 | 6WV-046702-5000 | INNER HEX SCREW M6x12 | 6 | |
| F04-1-11 | 6WV-046502-5000 | STEPPED SCREW M5 | 7 | |
| F04-1-12 | 6KMV-050702-C000 | LH DECO GUARD, FRONT SHOCK ABSORBER | 1 | |
| F04-1-13 | 6KMV-050703-C000 | RH DECO GUARD, FRONT SHOCK ABSORBER | 1 | |
| F04-1-14 | 6KM#-040081-8000-M1 | NUT CLIP M5 | 2 | |
| F04-1-15 | 6GUV-040005-6001-0VE00 | FRONT FENDER | 1 | |
| F04-1-15 | 6GUV-040005-6001-0VP00 | FRONT FENDER | 1 | |
| F04-1-15 | 6GUV-040005-6001-0BM00 | FRONT FENDER | 1 | |
| F04-1-16 | 6GUV-190004-6000 | DECAL, FENDER | 1 | |
| F04-1-17 | 30110-420130070 | SELF-TAPPING SCREW ST4.2x13-C-H | 2 | |
| F04-1-18 | 6GU#-040057-6000 | COVER, FRONT FENDER | 1 | |

塑料件 II / PLASTICS II



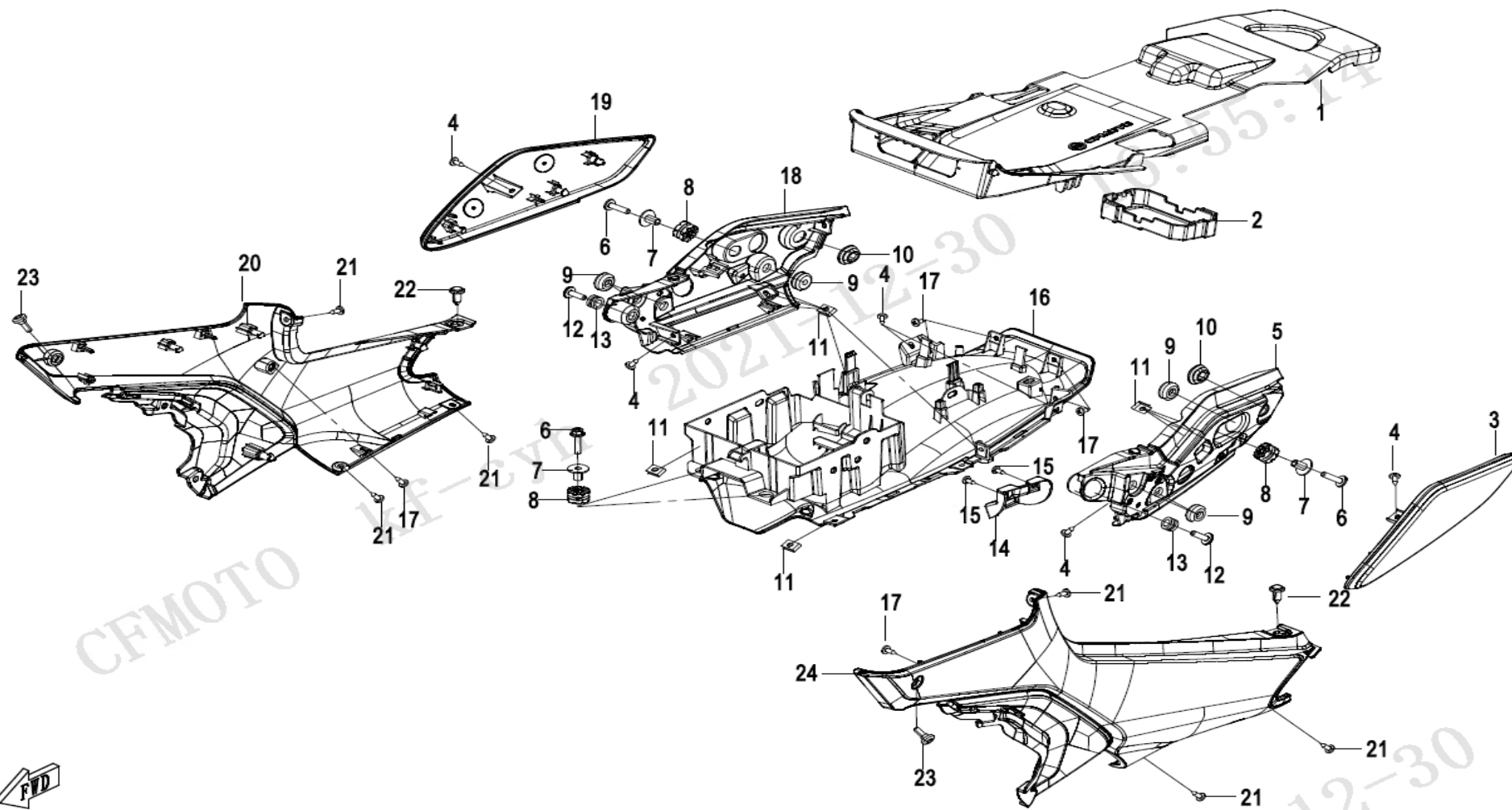
| NO. | CODE | EN DESCRIPTION | QTY | REMARKS |
|----------|------------------------|---------------------------------|-----|---------|
| F04-2-01 | 6KMV-040410-C000 | DECO RING, POWER LOCK | 1 | |
| F04-2-02 | 6WWV-046502-5000 | STEPPED SCREW M5 | 12 | |
| F04-2-03 | 6KMV-040401-C000 | GUARD, FUEL TANK FILLER | 1 | |
| F04-2-04 | 30110-421130010 | SELF-TAPPING SCREW ST4.2x13 | 35 | |
| F04-2-05 | 6KMV-040402-C000-0VE00 | UPPER PANEL, FUEL TANK | 1 | |
| F04-2-05 | 6KMV-040402-C000-0BM00 | UPPER PANEL, FUEL TANK | 1 | |
| F04-2-06 | 30110-480130010 | SELF-TAPPING SCREW ST4.8x13 | 2 | |
| F04-2-07 | 6KMV-040405-C000-0VE00 | RH OUTER PANEL, FUEL TANK | 1 | |
| F04-2-07 | 6KMV-040405-C000-0BM00 | RH OUTER PANEL, FUEL TANK | 1 | |
| F04-2-08 | 6KMV-040407-C000 | RH VENTILATION PLATE, FUEL TANK | 1 | |
| F04-2-09 | 6KMV-040403-C000-0VR00 | RH INNER PANEL, FUEL TANK | 1 | |
| F04-2-09 | 6KMV-040403-C000-0G700 | RH INNER PANEL, FUEL TANK | 1 | |
| F04-2-10 | 6KM#-040081-8000-M1 | NUT CLIP M5 | 6 | |
| F04-2-11 | 6KM#-040302-8000 | DAMPING RUBBER SLEEVE | 4 | |
| F04-2-12 | 8010-000002 | CLAMP ST4.2 | 4 | |
| F04-2-13 | 6KMV-040404-C000-0VR00 | LH INNER PANEL, FUEL TANK | 1 | |
| F04-2-13 | 6KMV-040404-C000-0G700 | LH INNER PANEL, FUEL TANK | 1 | |
| F04-2-14 | 6KMV-040408-C000 | LH VENTILATION PLATE, FUEL TANK | 1 | |
| F04-2-15 | 6KMV-040406-C000-0VE00 | LH OUTER PANEL, FUEL TANK | 1 | |
| F04-2-15 | 6KMV-040406-C000-0BM00 | LH OUTER PANEL, FUEL TANK | 1 | |
| F04-2-16 | 6WWV-046702-5000 | INNER HEX SCREW M6x12 | 2 | |
| F04-2-17 | A000-040302 | RUBBER DAMPER | 2 | |
| F04-2-18 | 6KMV-040409-C000 | LOWER PANEL, FUEL TANK | 1 | |
| F04-2-19 | 8080-041130 | PLASTIC SCREW | 2 | |

塑料件III/PLASTICS III



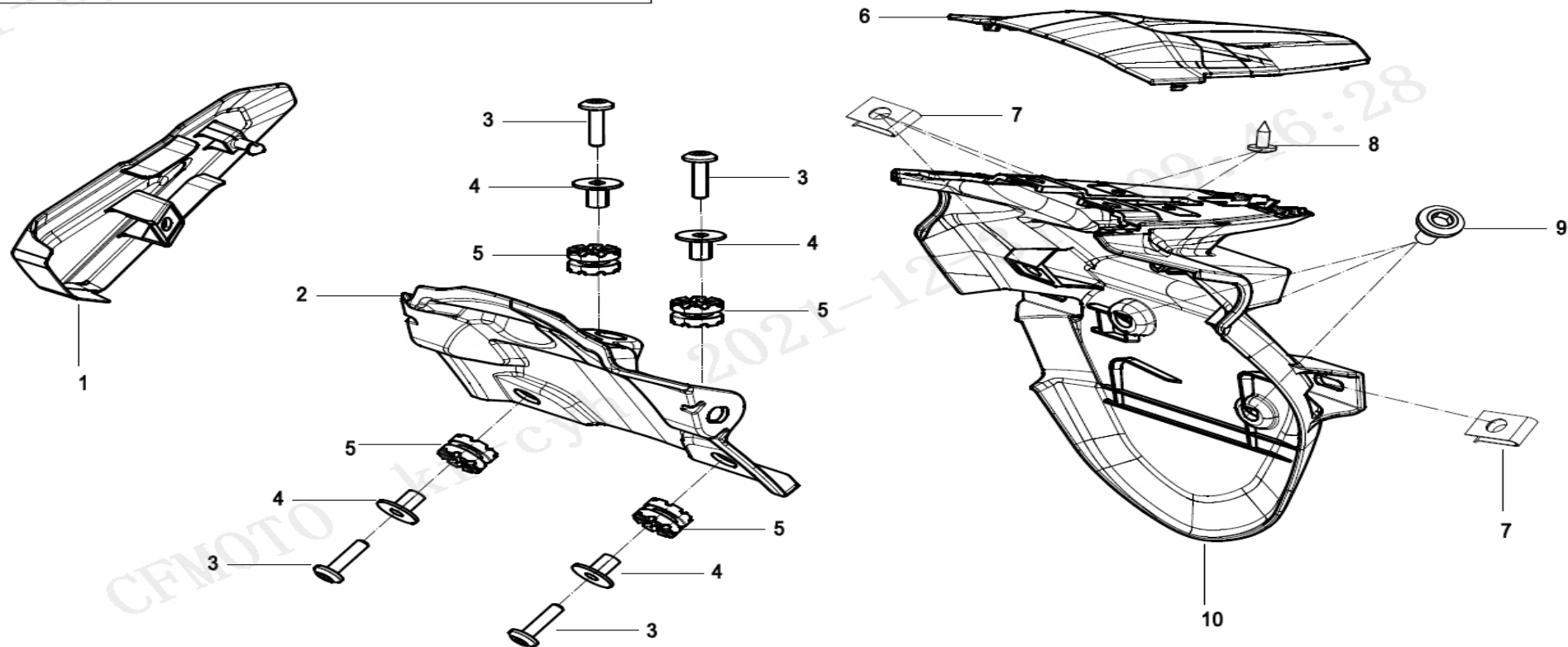
| NO. | CODE | EN DESCRIPTION | QTY | REMARKS |
|----------|------------------------|--------------------------------------|-----|---------|
| F04-3-01 | 6KMV-040503-C000-0VR00 | RH OUTER PANEL, RESERVOIR TANK | 1 | |
| F04-3-02 | 6KMV-040501-C000 | RH INNER PANEL, RESERVOIR TANK | 1 | |
| F04-3-03 | 5020-031001 | RUBBER SLEEVE, FRONT LICENSE BRACKET | 2 | |
| F04-3-04 | 6KMV-040505-C000 | RH DECO NET, RESERVOIR TANK | 1 | |
| F04-3-05 | 6KMV-040507-C000 | VISOR, RESERVOIR TANK RH DECO NET | 1 | |
| F04-3-06 | 30110-421130010 | SELF-TAPPING SCREW ST4.2x13 | 18 | |
| F04-3-07 | 8030-040800-00001 | NUT CLIP M6 | 2 | |
| F04-3-08 | 6KM#-040302-8000 | DAMPING RUBBER SLEEVE | 2 | |
| F04-3-09 | 6090-040303 | BUSHING | 2 | |
| F04-3-10 | 6WWV-046702-5000 | INNER HEX SCREW M6x12 | 2 | |
| F04-3-11 | 6KMV-040508-C000 | VISOR, RESERVOIR TANK LH DECO NET | 1 | |
| F04-3-12 | 6KMV-040506-C000 | LH DECO NET, RESERVOIR TANK | 1 | |
| F04-3-13 | 6KMV-040502-C000 | LH INNER PANEL, RESERVOIR TANK | 1 | |
| F04-3-14 | 6KMV-040504-C000-0VR00 | LH OUTER PANEL, RESERVOIR TANK | 1 | |
| F04-3-15 | 6KMV-041101-C000 | DECO COVER, CANISTER | 1 | |
| F04-3-16 | 6WWV-046602-5000 | INNER HEX STEPPED SCREW M6x14 | 2 | |
| F04-3-17 | 6KMV-040608-C000 | PRESS PLATE, LH DECO PLATE | 1 | |
| F04-3-17 | 6KMV-040606-C000-0BM00 | PRESS PLATE, LH DECO PLATE | 1 | |
| F04-3-18 | 6KMV-040602-C000-0BU00 | LH DECO PLATE | 1 | |
| F04-3-19 | 6KMV-040601-C000-0BU00 | RH DECO PLATE | 1 | |
| F04-3-20 | 6KMV-040607-C000 | PRESS PLATE, RH DECO PLATE | 1 | |
| F04-3-20 | 6KMV-040605-C000-0BM00 | PRESS PLATE, LH DECO PLATE | 1 | |

塑料件IV/PLASTICS IV



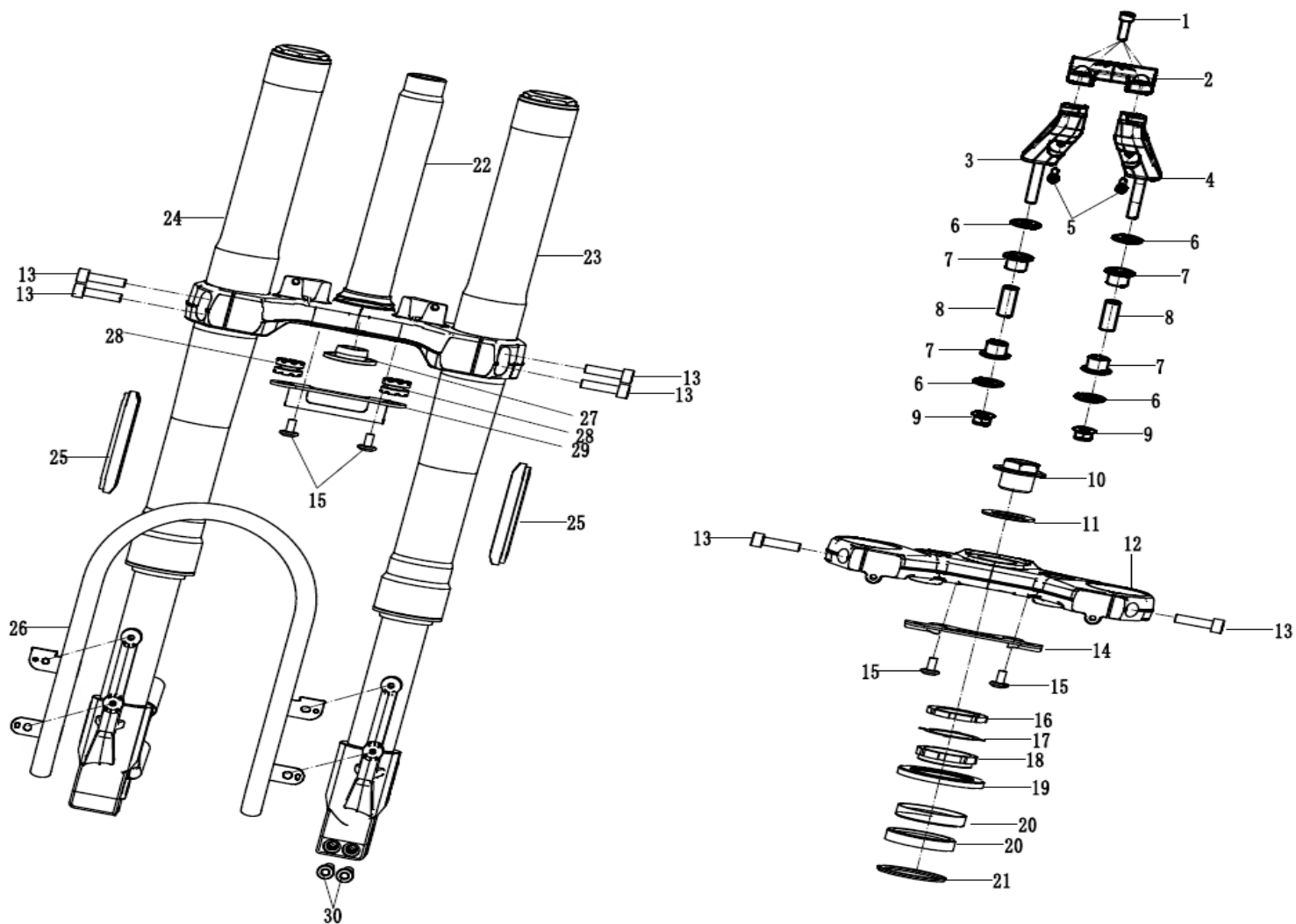
| NO. | CODE | EN DESCRIPTION | QTY | REMARKS |
|----------|------------------------|--------------------------------------|-----|---------|
| F04-4-01 | 6KMV-041105-C001 | LOWER DECON GUARD, SEAT | 1 | |
| F04-4-02 | 6KMV-041104-C000 | GUARD, FUSE BOX | 1 | |
| F04-4-03 | 6KMV-040704-C000-OVR00 | LH DECO GUARD, TAIL LIGHT | 1 | |
| F04-4-04 | 30110-480130010 | SELF-TAPPING SCREW ST4.8x13 | 6 | |
| F04-4-05 | 6KMV-040702-C000 | LH PANEL, TAIL LIGHT | 1 | |
| F04-4-06 | 6WWV-047002-5000 | INNER HEX SCREW M6x25 | 4 | |
| F04-4-07 | 6KMV-000202-C000 | T-BUSHING KIT | 4 | |
| F04-4-08 | 5020-031001 | RUBBER SLEEVE, FRONT LICENSE BRACKET | 4 | |
| F04-4-09 | A000-040302 | RUBBER DAMPER | 6 | |
| F04-4-10 | 8080-040064 | DAMPER, FRONT FENDER | 2 | |
| F04-4-11 | 8010-000002 | CLAMP ST4.2 | 10 | |
| F04-4-12 | 6WWV-046702-5000 | INNER HEX SCREW M6x12 | 2 | |
| F04-4-13 | 6KM#-040302-8000 | DAMPING RUBBER SLEEVE | 2 | |
| F04-4-14 | 6KMV-040706-C000 | LOCK SEAT, SEAT LOCK | 1 | |
| F04-4-15 | 30110-421130010 | SELF-TAPPING SCREW ST4.2x13 | 2 | |
| F04-4-16 | 6KMV-040705-C000 | REAR SKID PLATE | 1 | |
| F04-4-17 | 30110-420130070 | SELF-TAPPING SCREW ST4.2x13-C-H | 6 | |
| F04-4-18 | 6KMV-040701-C000 | RH PANEL, TAIL LIGHT | 1 | |
| F04-4-19 | 6KMV-040703-C000-OVR00 | RH DECO GUARD, TAIL LIGHT | 1 | |
| F04-4-20 | 6KMV-040603-C000 | RH PANEL | 1 | |
| F04-4-21 | 30110-480160070 | SELF-TAPPING SCREW | 6 | |
| F04-4-22 | 9060-040310 | PLASTIC CLIPS | 2 | |
| F04-4-23 | 6WWV-046502-5000 | STEPPED SCREW M5 | 2 | |
| F04-4-24 | 6KMV-040604-C000 | LH PANEL | 1 | |

塑料件VI/PLASTICS VI



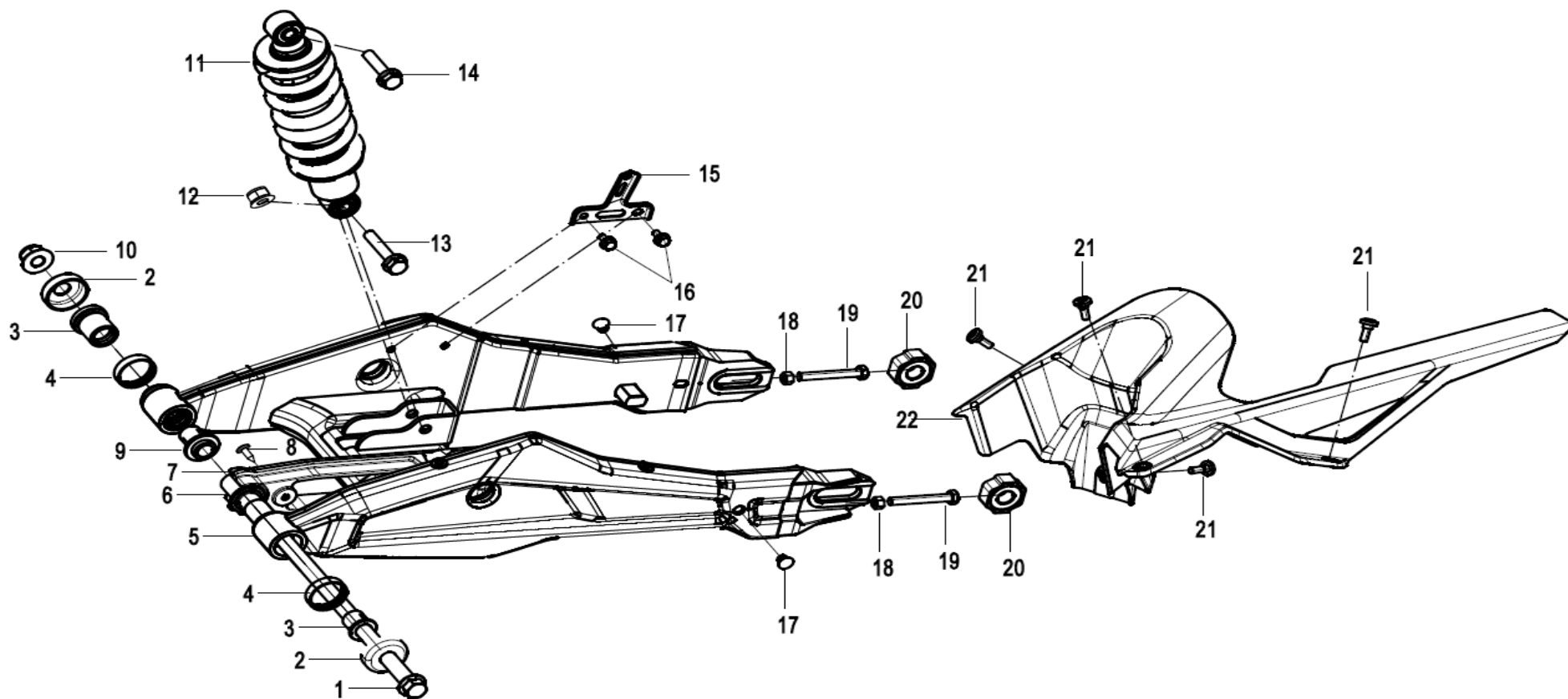
| NO. | CODE | EN DESCRIPTION | QTY | REMARKS |
|----------|-------------------|--------------------------------------|-----|---------|
| F04-5-01 | 6KMV-041103-C000 | DECO PLATE, REAR FENDER BRACKET | 1 | |
| F04-5-02 | 6KMV-040804-C000 | LINER PLATE, REAR LICENSE LIGHT | 1 | |
| F04-5-03 | 6WWV-047002-5000 | INNER HEX SCREW M6x25 | 4 | |
| F04-5-04 | 6GU#-000202-6000 | T SHAPE BUSHING KIT | 4 | |
| F04-5-05 | 5020-031001 | RUBBER SLEEVE, FRONT LICENSE BRACKET | 4 | |
| F04-5-06 | 6KMV-040803-C000 | BRACKET, REAR LICENSE LIGHT | 1 | |
| F04-5-07 | 8030-040800-00001 | NUT CLIP M6 | 4 | |
| F04-5-08 | 30110-420095010 | SELF-TAPPING SCREW ST4.2x9.5 | 2 | |
| F04-5-09 | 6WWV-046602-5000 | INNER HEX STEPPED SCREW M6x14 | 3 | |
| F04-5-10 | 6KMV-040805-C000 | SUPPORTER, REAR LICENSE LIGHT | 1 | |

前悬挂总成/Front Suspension Assy

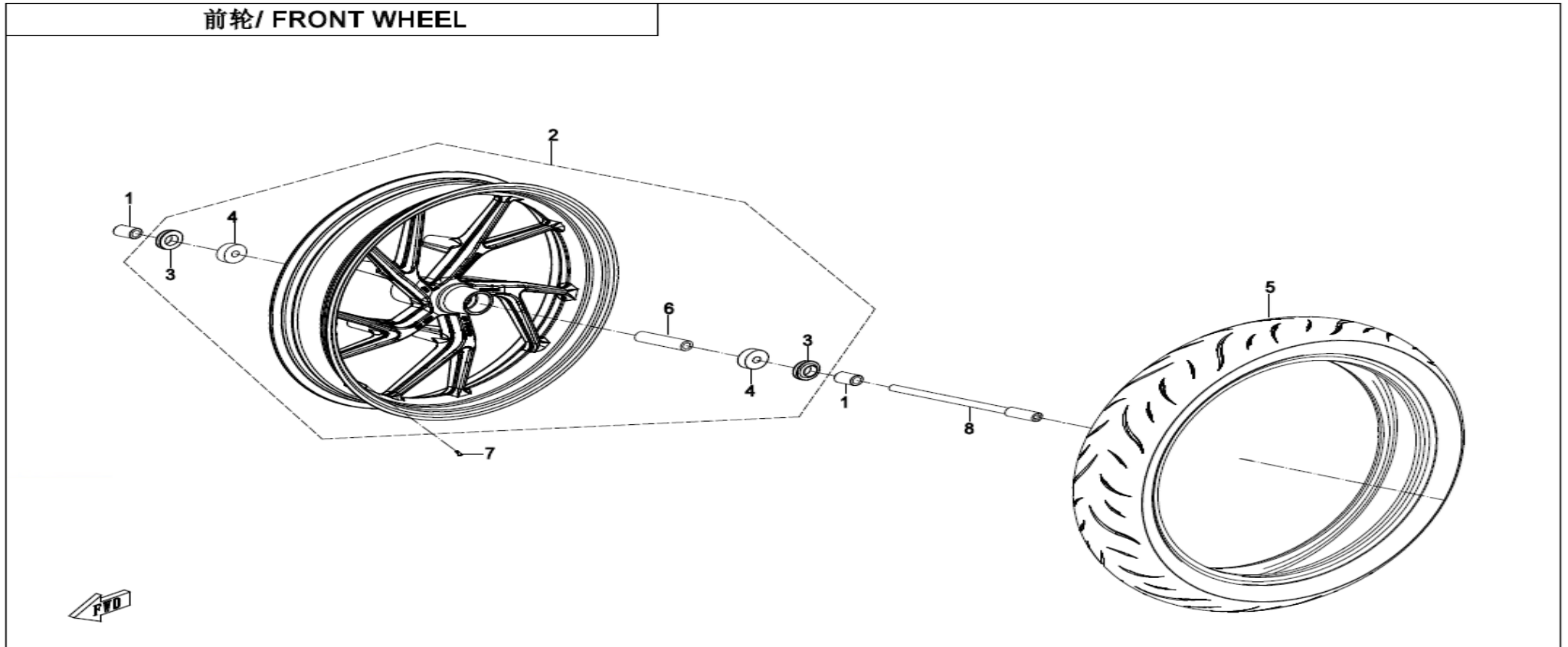


| NO. | CODE | EN DESCRIPTION | QTY | REMARKS |
|--------|------------------------|--|-----|---------|
| F05-01 | 30102-080025870 | INNER HEX SCREW M8x25 | 4 | |
| F05-02 | 6GU#-050001-6000 | PRESS COVER, HANDLEBAR | 1 | |
| F05-03 | 6KMV-100050-C001 | RH SUPPORTER, HANDLEBAR | 1 | |
| F05-04 | 6KMV-100040-C001 | LH SUPPORTER, HANDLEBAR | 1 | |
| F05-05 | 30102-060016870 | SCREW M6x16 | 2 | |
| F05-06 | 6KJ0-050005 | WASHER | 4 | |
| F05-07 | 6KJ0-050004 | DAMPER RUBBER, UPPER TRIPLE CLAMP | 4 | |
| F05-08 | 6KJ0-050006-00001 | LINER, UPPER TRIPLE CLAMP | 2 | |
| F05-09 | 30204-102810 | NUT M10x1.25 | 2 | |
| F05-10 | 6NTA-050003 | LOCK SCREW, UPPER TRIPLE CLAMP | 1 | |
| F05-11 | A000-050004 | WASHER | 1 | |
| F05-12 | 6KMV-050001-C000 | UPPER TRIPLE CLAMP | 1 | |
| F05-13 | 30102-080030810 | SCREW M8x30 | 6 | |
| F05-14 | 6KMV-050110-C000 | UPPER BRACKET, HEADLIGHT | 1 | |
| F05-15 | 6WWV-046702-5000 | INNER HEX SCREW M6x12 | 4 | |
| F05-16 | A000-050007 | LOCK NUT 2 | 1 | |
| F05-17 | A000-050008 | WASHER | 1 | |
| F05-18 | A000-050006 | LOCK NUT 1 | 1 | |
| F05-19 | A000-050009 | DUST CAP, UPPER RETAINER | 1 | |
| F05-20 | A000-050100-10000 | STEERING BEARING ASSY | 2 | |
| F05-21 | A000-050400 | ANTI-DUST CAP, LOWER RETAINING RING | 1 | |
| F05-22 | 6KJ0-050300-0BP00 | FRONT FORK AND LOWER TRIPLE CLAMP ASSY | 1 | |
| F05-23 | 6KMV-050100-C000-M1 | FRONT LH SHOCK ABSORBER | 1 | |
| F05-24 | 6KMV-050200-C000-M1 | FRONT RH SHOCK ABSORBER | 1 | |
| F05-25 | 6KJV-160920-8001-M1 | FRONT SIDE REFLECTOR | 2 | |
| F05-26 | 6KMV-050020-C000-0BY00 | BRACKET, FRONT FENDER | 1 | |
| F05-27 | A000-050011 | RUBBER PLUG 2 | 1 | |
| F05-28 | 5020-031001 | RUBBER SLEEVE, FRONT LICENSE BRACKET | 2 | |
| F05-29 | 6KMV-050310-C000 | LOWER BRACKET, HEADLIGHT | 1 | |
| F05-30 | 30102-080040870 | SCREW M8x40 | 2 | |

后悬挂总成/REAR SUSPENSION ASSY

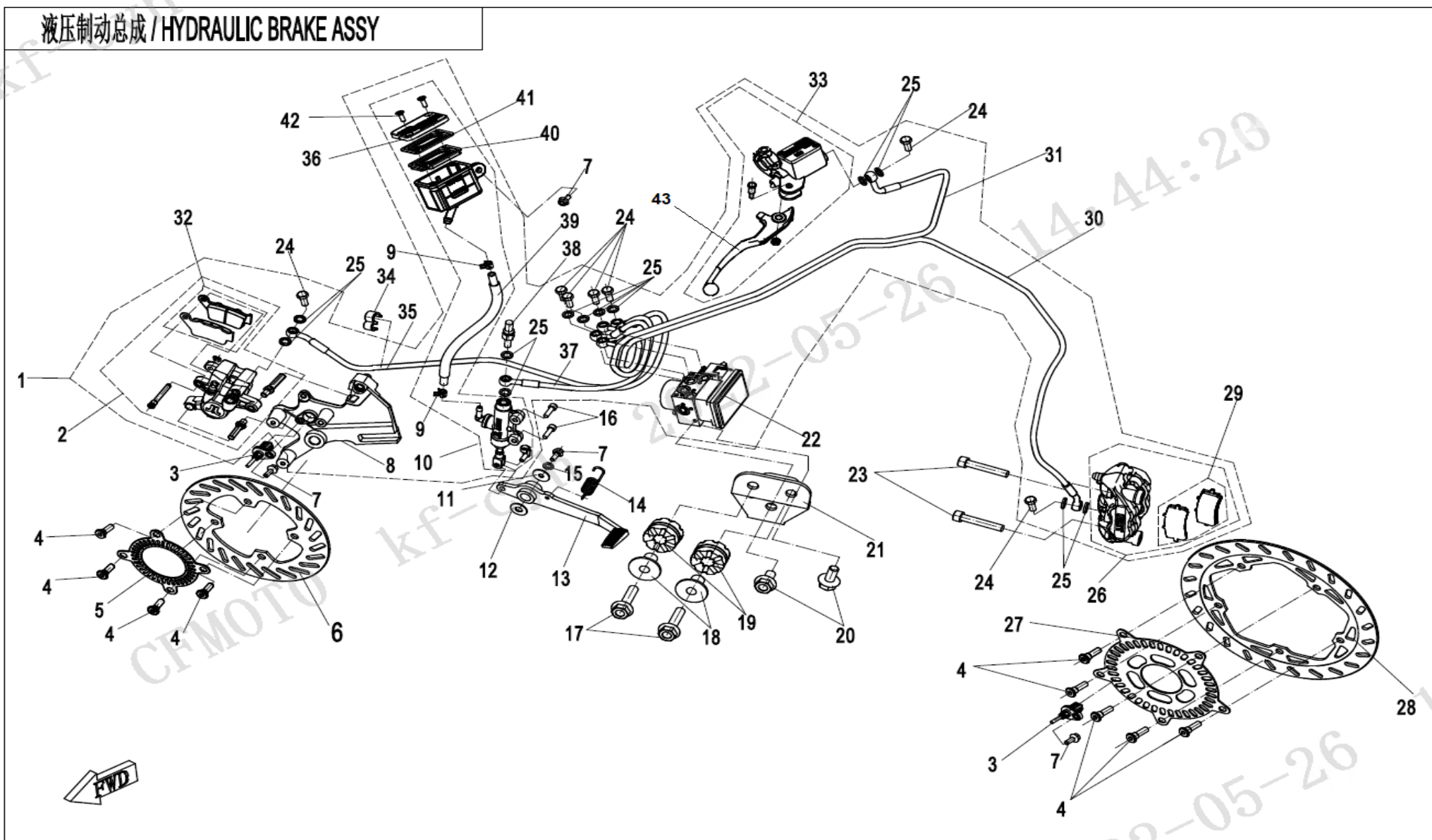


| NO. | CODE | EN DESCRIPTION | QTY | REMARKS |
|--------|------------------------|-------------------------------|-----|---------|
| F06-01 | 6KMV-060001-C000 | REAR FORK SHAFT | 1 | |
| F06-02 | 6KMV-060010-C000-0BY00 | DUST CAP, REAR SWING ARM | 2 | |
| F06-03 | 6100-060008 | OUTER BUSH, REAR SWING ARM | 2 | |
| F06-04 | 6090-060005 | ANTI-DUST RING | 2 | |
| F06-05 | 6KMV-060300-C001-0BY00 | REAR FORK | 1 | |
| F06-06 | 6KMV-060003-C000 | LH INNER BUSHING, REAR FORK | 1 | |
| F06-07 | 6KM0-060201 | CHAIN GUIDE | 1 | |
| F06-08 | 8030-040020-1000 | SCREW M6x17.5 | 1 | |
| F06-09 | 6KMV-060004-C000 | RH INNER BUSHING, REAR FORK | 1 | |
| F06-10 | 30204-143810 | NUT M14x1.5 | 1 | |
| F06-11 | 6KMV-060100-C001-M1 | REAR SHOCK ABSORBER | 1 | |
| F06-12 | 30204-102810 | NUT M10x1.25 | 1 | |
| F06-13 | 30006-102050810 | BOLT M10x1.25x50 | 1 | |
| F06-14 | 30006-102045810 | BOLT M10x1.25x45 | 1 | |
| F06-15 | 6KM0-060410-0B200 | BRACKET, FENDER | 1 | |
| F06-16 | 30006-060012810 | BOLT M6x12 | 2 | |
| F06-17 | 6KM#-100002-8000 | RUBBER PLUG, CLUTCH LEVER | 2 | |
| F06-18 | 30200-080810 | NUT M8 | 2 | |
| F06-19 | 30004-080060810 | BOLT M8x60 | 2 | |
| F06-20 | 6KMV-060002-C000-0BY00 | ADJUSTING BLOCK | 2 | |
| F06-21 | 6WWV-046602-5000 | INNER HEX STEPPED SCREW M6x14 | 4 | |
| F06-22 | 6KMV-040801-C000 | SPROCKET GUARD | 1 | |



| NO. | CODE | EN DESCRIPTION | QTY | REMARKS |
|--------|---------------------|---|-----|---------|
| F07-01 | 6KJ0-070002 | COLLAR, FRONT WHEEL AXLE | 2 | |
| F07-02 | 6KMV-070100-B000-10 | FRONT RIM ASSY | 1 | |
| F07-03 | 6KJ0-070024 | OIL SEAL | 2 | |
| F07-04 | 30400-01281 | BEARING | 2 | |
| F07-05 | 30705-1747 | GB/T2983_DOT 17F M1F 002_E-mark_E4-75R-0013834_3C_F000501 | 1 | |
| F07-06 | 6KM#-070103-6001 | MIDDLE SPACER, FRONT RIM | 1 | |
| F07-07 | 5190-070030-1000 | VALVE, INFLATION | 1 | |
| F07-08 | 6KJ0-070001-10000 | AXLE, FRONT WHEEL | 1 | |

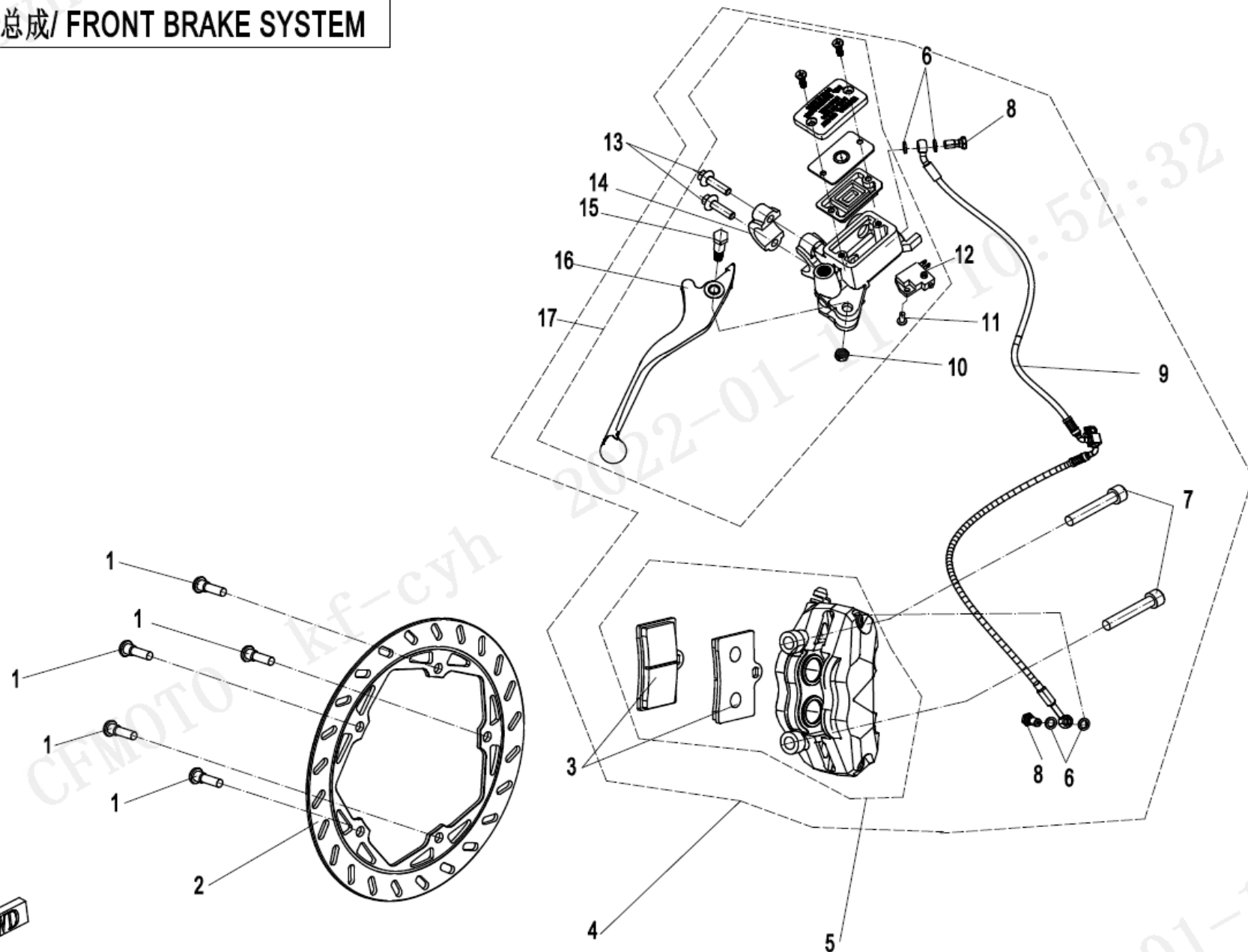
液压制动总成 / HYDRAULIC BRAKE ASSY



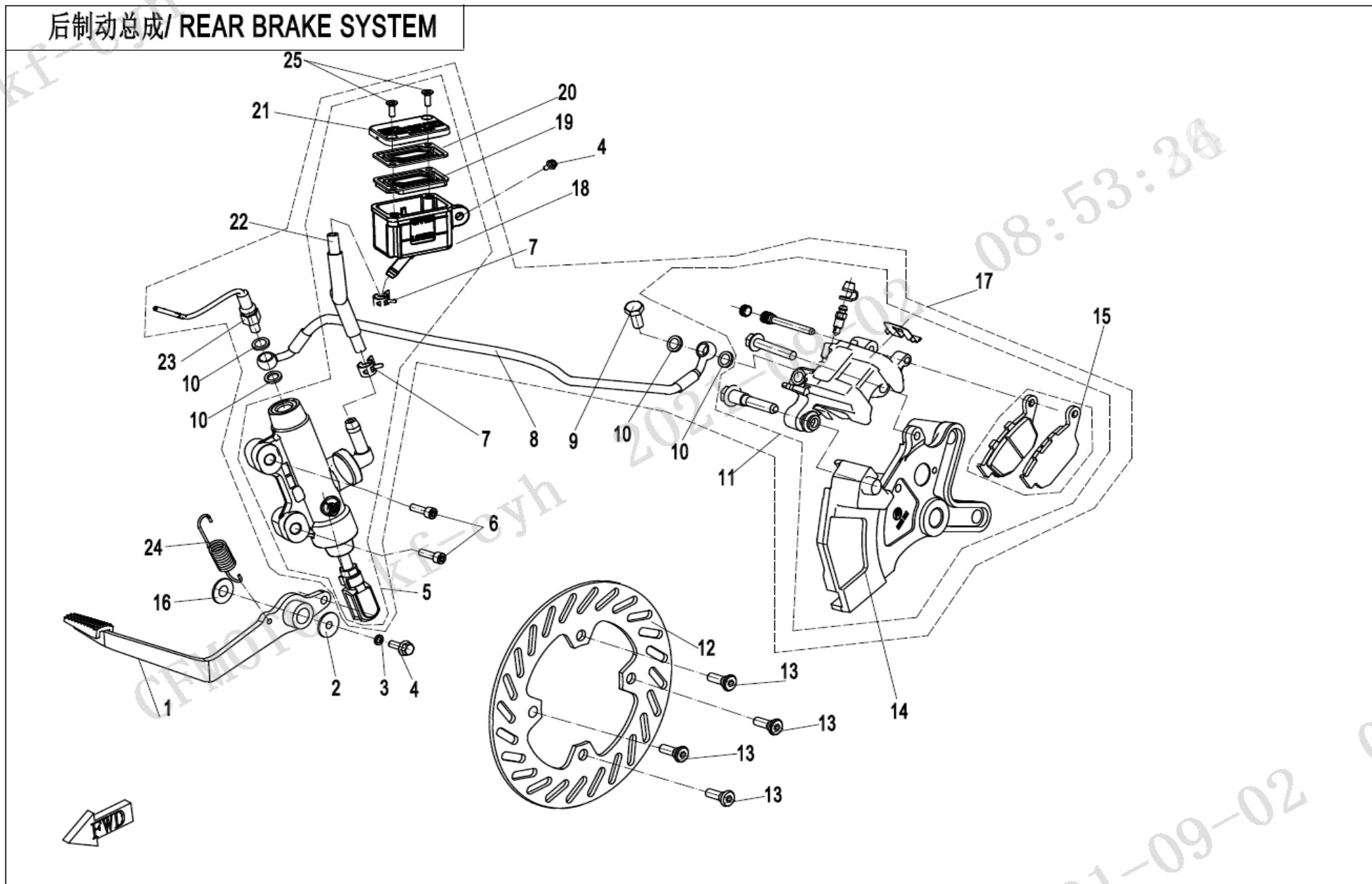
| NO. | CODE | EN DESCRIPTION | QTY | REMARKS |
|----------|---------------------|--|-----|---------|
| F08-B-01 | 6KMV-082000-C001-M1 | MAB HYDRAULIC BRAKE ASSY | 1 | |
| F08-B-02 | 6KMV-091100-C000-M1 | REAR BRAKE CALIPER | 1 | |
| F08-B-03 | 6KMV-080004-8500-M1 | SPEED SENSOR | 2 | |
| F08-B-04 | 6KJ0-080005 | BOLT,FRONT BRAKE DISC | 9 | |
| F08-B-05 | 6NTG-080009 | REAR GEAR RING | 1 | |
| F08-B-06 | 6KJ0-080002-10000 | REAR BRAKE DISC | 1 | |
| F08-B-07 | 30006-060016810 | BOLT M6x16 | 3 | |
| F08-B-08 | 6KMV-091100-C000-20 | MOUNTING PLATE | 1 | |
| F08-B-09 | A000-080213-2000 | CLIP | 2 | |
| F08-B-10 | 6KMV-081400-C000-M1 | REAR BRAKE MASTER CYLIDNER | 1 | |
| F08-B-11 | A000-080006-10000 | WASHER 1 | 1 | |
| F08-B-12 | A000-080007-10000 | WASHER 2 | 1 | |
| F08-B-13 | 6KMV-082001-C000 | REAR BRAKE PEDAL | 1 | |
| F08-B-14 | 6KMV-080005-C000 | RETURN SPRING | 1 | |
| F08-B-15 | 30303-060112 | WASHER | 1 | |
| F08-B-16 | 30102-060022810 | SCREW M6x22 | 2 | |
| F08-B-17 | 30006-060025810 | BOLT M6x25 | 2 | |
| F08-B-18 | 5020-031002 | RUBBER SLEEVE LINER, FRONT LICENSE BRACKET | 2 | |
| F08-B-19 | 5020-031001 | RUBBER SLEEVE, FRONT LICENSE BRACKET | 2 | |
| F08-B-20 | 30006-060012810 | BOLT M6x12 | 2 | |
| F08-B-21 | 6KMV-030070-2000 | BRACKET, ABS | 1 | |
| F08-B-22 | 6KMV-081500-C000-M2 | MAB EXECUTION UNIT | 1 | |
| F08-B-23 | 30102-102060810 | SCREW M10x1.25x60 | 2 | |
| F08-B-24 | 6KM#-080103-8101 | BOLT, FUEL PIPE | 7 | |
| F08-B-25 | 6KM#-081000-8100-20 | REATAINER | 16 | |
| F08-B-26 | 6KM#-081200-8100 | FRONT BRAKE CALIPER ASSY | 1 | |
| F08-B-27 | 6KJ0-080004 | INDUCTION PLATE, COUNTER | 1 | |
| F08-B-28 | 6KJ0-080001-20000 | FRONT BRAKE DISC | 1 | |
| F08-B-29 | 6KM#-0812A0-8100 | FRONT BRAKE PAD ASSY | 1 | |
| F08-B-30 | 6KM#-081020-6001 | FLUID OUTLET PIPE, FRONT CALIPER | 1 | |
| F08-B-31 | 6KM#-081010-6001 | FLUID INLET PIPE, FRONT CALIPER | 1 | |

| NO. | CODE | EN DESCRIPTION | QTY | REMARKS |
|----------|---------------------|-------------------------------------|-----|---------|
| F08-B-32 | 6KM#-0911A0-8100 | REAR BRAKE PAD ASSY | 1 | |
| F08-B-33 | 6KMV-081100-B000-M1 | HAND BRAKE MASTER CYLINDER | 1 | |
| F08-B-34 | 6KM#-080002-8000 | RUBBER OIL HOSE CLIP | 3 | |
| F08-B-35 | 6KM#-081040-6002 | OIL OUTLET HOSE, REAR BRAKE CALIPER | 1 | |
| F08-B-36 | 6KM0-091201-20000 | CAP, FLUID RESERVOIR | 1 | |
| F08-B-37 | 6KM#-081030-6001 | FLUID OUTLET PIPE, REAR CALIPER | 1 | |
| F08-B-38 | 6KMV-081700-C000-M1 | HYDRAULIC SENSOR SWITCH | 1 | |
| F08-B-39 | 6KM0-091220-30000 | BRAKE FLUID RESERVOIR HOSE | 1 | |
| F08-B-40 | 6KM0-091203-20000 | SEALING GASKET, FLUID RESERVOIR | 1 | |
| F08-B-41 | 6KM0-091202-20000 | SEALING LINER, FLUID RESERVOIR | 1 | |
| F08-B-42 | A000-080229-2000 | SCREW, FLUID RESERVOIR CAP | 2 | |
| F08-B-43 | 6KMV-081100-B000-20 | BRAKE LEVER | 1 | |

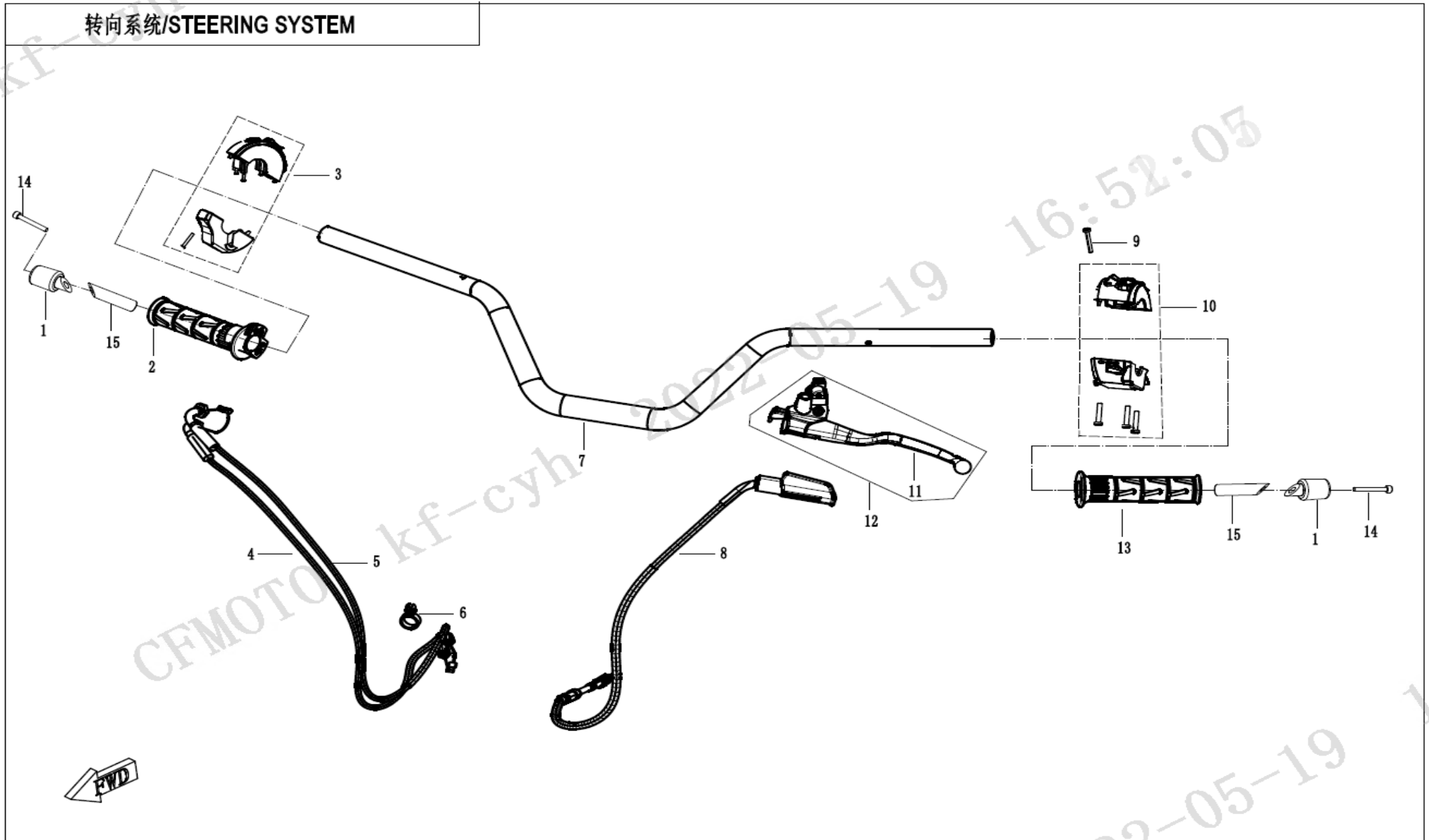
前制动总成/ FRONT BRAKE SYSTEM



| NO. | CODE | EN DESCRIPTION | QTY | REMARKS |
|------------|---------------------|----------------------------|-----|---------|
| F08-C-1-01 | 6KJ0-080005 | | 5 | |
| F08-C-1-02 | 6KJ0-080001-20000 | FRONT BRAKE DISC | 1 | |
| F08-C-1-03 | 6KM#-0812A0-8100 | FRONT BRAKE PAD ASSY | 1 | |
| F08-C-1-04 | 6KMV-081000-C300-M1 | FRONT HYDRAULIC BRAKE ASSY | 1 | |
| F08-C-1-05 | 6KM#-081200-8100 | FRONT BRAKE CALIPER ASSY | 1 | |
| F08-C-1-06 | 6KM#-081000-8100-20 | REATAINER | 4 | |
| F08-C-1-07 | 30102-102060810 | SCREW M10x1.25x60 | 2 | |
| F08-C-1-08 | 6KM#-080103-8101 | BOLT, FUEL PIPE | 2 | |
| F08-C-1-09 | 6KMV-081010-C100-M1 | HAND BRAKE FLUID HOSE | 1 | |
| F08-C-1-10 | 30204-060870 | NUT M6 | 1 | |
| F08-C-1-11 | 30116-040010440 | SCREW KIT | 1 | |
| F08-C-1-12 | 6KM0-081102-20000 | BRAKE SWITCH | 1 | |
| F08-C-1-13 | 6KM#-081100-8100-25 | SCREW M6x22 | 2 | |
| F08-C-1-14 | 6KM#-081100-8100-24 | COVER | 1 | |
| F08-C-1-15 | 6KM0-081116-20000 | BOLT, HAND LEVER | 1 | |
| F08-C-1-16 | 6KMV-081100-B000-20 | BRAKE LEVER | 1 | |
| F08-C-1-17 | 6KMV-081100-B000-M1 | HAND BRAKE MASTER CYLINDER | 1 | |

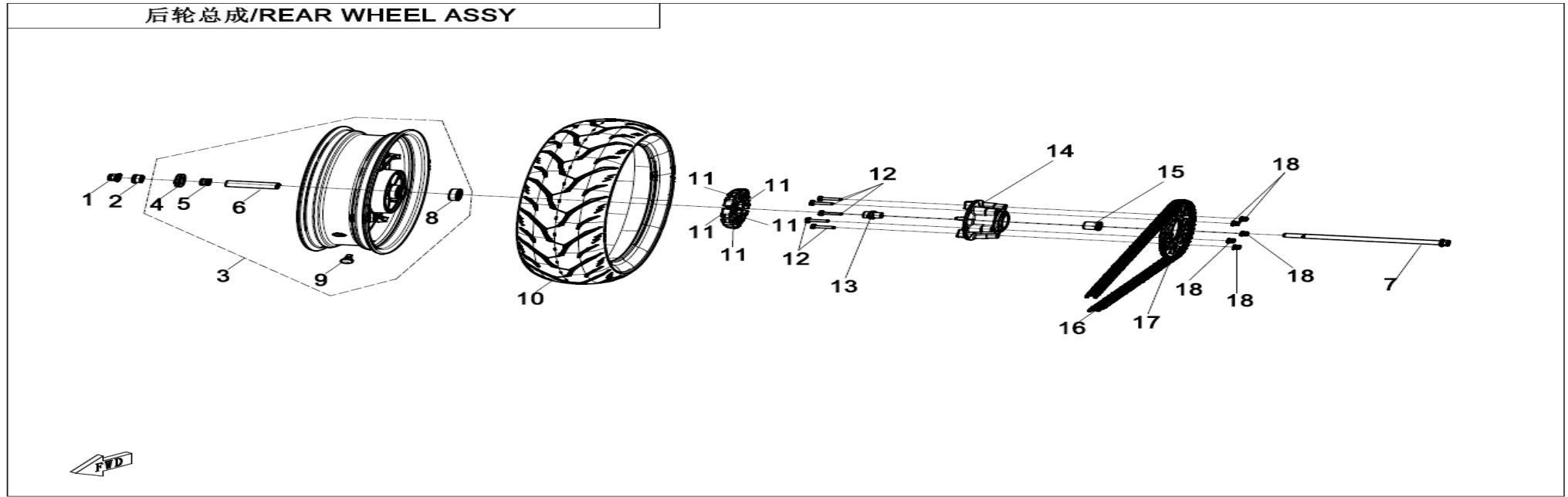


| NO. | CODE | EN DESCRIPTION | QTY | REMARKS |
|------------|---------------------|---------------------------------|-----|---------|
| F08-C-2-01 | 6KMV-082001-C000 | REAR BRAKE PEDAL | 1 | |
| F08-C-2-02 | A000-080006-10000 | WASHER 1 | 1 | |
| F08-C-2-03 | 30303-060112 | WASHER | 1 | |
| F08-C-2-04 | 30006-060016810 | BOLT M6x16 | 2 | |
| F08-C-2-05 | 6KMV-081400-C000-M1 | REAR BRAKE MASTER CYLIDNER | 1 | |
| F08-C-2-06 | 30102-060022810 | SCREW M6x22 | 2 | |
| F08-C-2-07 | A000-080213-2000 | CLIP | 2 | |
| F08-C-2-08 | 6KM#-081040-8000 | REAR BRAKE FLUID HOSE | 1 | |
| F08-C-2-09 | 6KM#-080103-8101 | BOLT, FUEL PIPE | 1 | |
| F08-C-2-10 | 6KM#-081000-8100-20 | REATAINER | 4 | |
| F08-C-2-11 | 6KMV-091100-C000-M1 | REAR BRAKE CALIPER | 1 | |
| F08-C-2-12 | 6KJ0-080002-10000 | REAR BRAKE DISC | 1 | |
| F08-C-2-13 | 6KJ0-080005 | BOLT,FRONT BRAKE DISC | 4 | |
| F08-C-2-14 | 6KM0-091105-30000 | BRACKET | 1 | |
| F08-C-2-15 | 6KM#-0911A0-8100 | REAR BRAKE PAD ASSY | 1 | |
| F08-C-2-16 | A000-080007-10000 | WASHER 2 | 1 | |
| F08-C-2-17 | 6KMV-091000-C300-M1 | REAR HYDRAULIC BRAKE ASSY | 1 | |
| F08-C-2-19 | 6KM0-091202-20000 | SEALING LINER, FLUID RESERVOIR | 1 | |
| F08-C-2-20 | 6KM0-091203-20000 | SEALING GASKET, FLUID RESERVOIR | 1 | |
| F08-C-2-21 | 6KM0-091201-20000 | CAP, FLUID RESERVOIR | 1 | |
| F08-C-2-22 | 6KM0-091220-30000 | BRAKE FLUID RESERVOIR HOSE | 1 | |
| F08-C-2-23 | 6KMV-081700-C000-M1 | HYDRAULIC SENSOR SWITCH | 1 | |
| F08-C-2-24 | 6KMV-080005-C000 | RETURN SPRING | 1 | |
| F08-C-2-25 | A000-080229-2000 | SCREW, FLUID RESERVOIR CAP | 2 | |



| NO. | CODE | EN DESCRIPTION | QTY | REMARKS |
|--------|-------------------|-----------------------------------|-----|---------|
| F10-01 | 6KMV-100301-B000 | BALANCING WEIGHT | 2 | |
| F10-02 | A000-100010-20000 | RH HAND GRIP ASSY | 1 | |
| F10-03 | 6KMV-167000-C200 | HANDLEBAR SWITCH ASSY, RH | 1 | |
| F10-04 | 6KMV-100500-C001 | ADJUSTING THROTTLE CABLE | 1 | |
| F10-05 | 6KMV-100400-C001 | THROTTLE CABLE | 1 | |
| F10-06 | A000-050015 | WIRE CLIP, FRONT BRAKE FLUID HOSE | 1 | |
| F10-07 | 6KMV-100101-C001 | HANDLEBAR PIPE | 1 | |
| F10-07 | 6KMV-100102-C001 | HANDLEBAR PIPE | 1 | |
| F10-08 | 6KMV-100600-C000 | CLUTCH CABLE | 1 | |
| F10-09 | 30105-040012470 | SCREW 4.8 | 1 | |
| F10-10 | 6KMV-166000-C000 | HANDLEBAR SWITCH ASSY, LH | 1 | |
| F10-11 | 6FI3-100301 | CLUTCH LEVER | 1 | |
| F10-12 | 6FI3-100300-10000 | CLUTCH LEVER ASSY | 1 | |
| F10-13 | A000-100001-10000 | LH HAND GRIP | 1 | |
| F10-14 | 30102-060045870 | SCREW | 2 | |
| F10-15 | 6KMV-100302-B000 | BALANCER | 2 | |

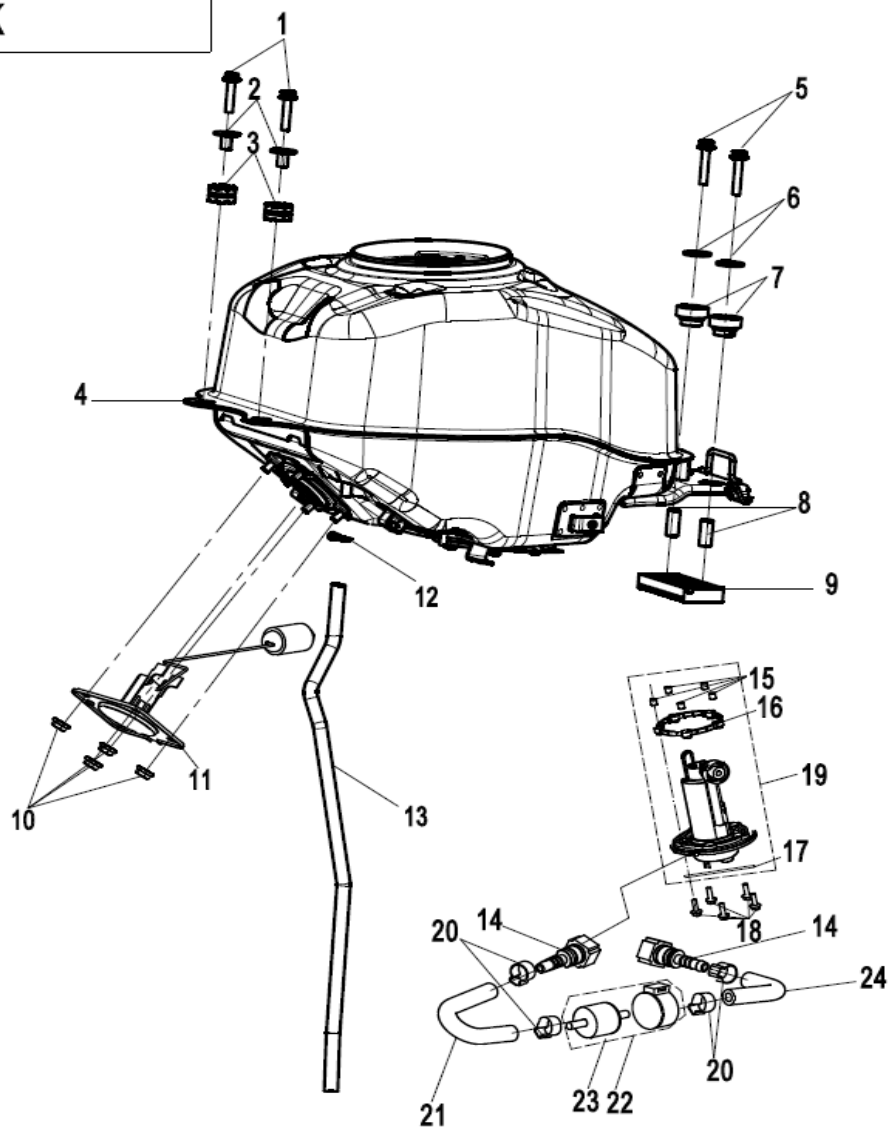
F11 REAR WHEEL



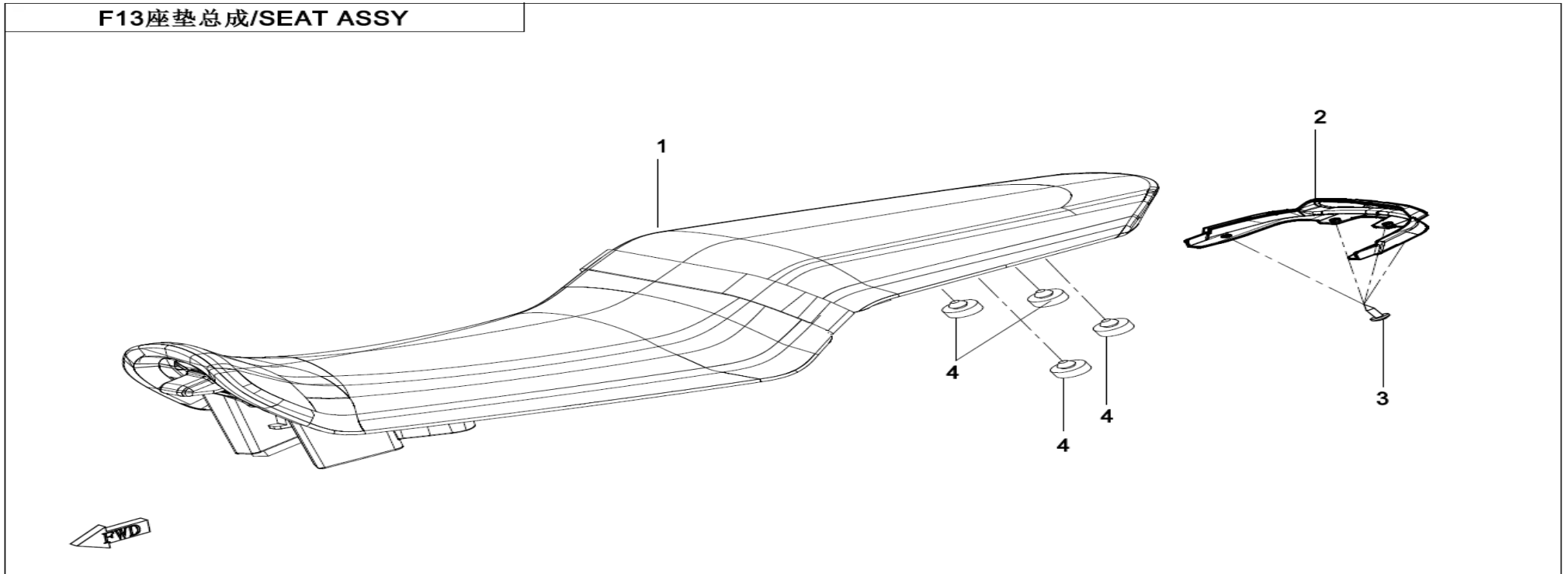
| NO. | CODE | EN DESCRIPTION | QTY | REMARKS |
|--------|------------------------|--------------------------------|-----|---------|
| F11-01 | 30204-143810 | NUT M14x1.5 | 1 | |
| F11-02 | 6KJ0-110001-10000 | RH SHAFT SLEEVE, REAR WHEEL | 1 | |
| F11-03 | 6KMV-110100-C001-0BM00 | REAR RIM ASSY | 1 | |
| F11-04 | 30500-027800N | OIL SEAL | 1 | |
| F11-05 | 30400-01583 | BEARING | 1 | |
| F11-06 | 6KM#-110103-6001 | MIDDLE SPACER, REAR RIM | 1 | |
| F11-07 | 6KJ0-110005-20000 | REAR WHEEL SHAFT | 1 | |
| F11-08 | 30400-01580 | BEARING | 1 | |
| F11-09 | 5190-070030-1000 | VALVE, INFLATION | 1 | |
| F11-10 | 30705-1756 | TIRE | 1 | |
| F11-11 | 6KM0-110004 | RUBBER DAMPER, SPROCKET SOCKET | 5 | |
| F11-12 | 6KJ0-110003 | BOLT | 5 | |
| F11-13 | 6KM0-110003-10000 | BUSHING, SPROCKET SOCKET | 1 | |
| F11-14 | 6KM0-110200-10000 | SPROCKET SOCKET | 1 | |

| NO. | CODE | EN DESCRIPTION | QTY | REMARKS |
|--------|-------------------|--------------------------|-----|---------|
| F11-15 | 6KM0-110002-10000 | SHAFT SLEEVE, REAR WHEEL | 1 | |
| F11-16 | 3120910 | CHAIN | 1 | |
| F11-17 | 6KMV-110006-C000 | REAR SPROCKET | 1 | |
| F11-18 | 30204-080810 | NUT M8 | 5 | |

油箱/FUEL TANK

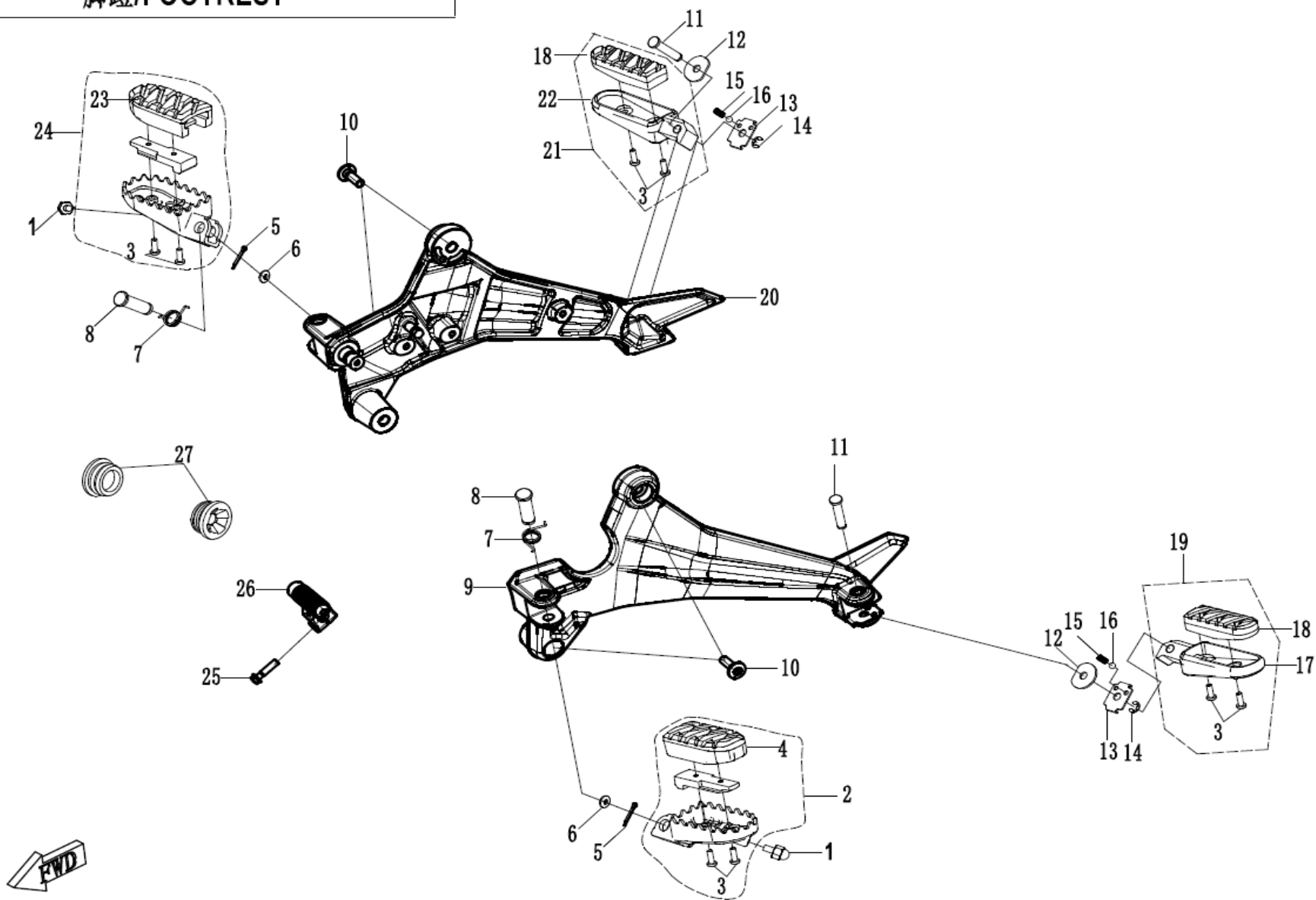


| NO. | CODE | EN DESCRIPTION | QTY | REMARKS |
|--------|---------------------|--------------------------------------|-----|---------|
| F12-01 | 30006-060025810 | BOLT M6x25 | 2 | |
| F12-02 | 6KM0-120010 | T-TYPE BUSHING ASSY | 2 | |
| F12-03 | 5020-031001 | RUBBER SLEEVE, FRONT LICENSE BRACKET | 2 | |
| F12-04 | 6KMV-121000-C000 | FUEL TANK ASSY | 1 | |
| F12-05 | 30006-060035810 | BOLT M6x35 | 2 | |
| F12-06 | 30301-060412 | WASHER | 2 | |
| F12-07 | 6NQ#-120004-6000 | CUSHION RUBBER WAHSER | 2 | |
| F12-08 | 6NQ#-120002-6000 | MOUNTING BUSHING | 2 | |
| F12-09 | 6NQ#-120003-6000 | RUBBER DAMPER BLOCK | 1 | |
| F12-10 | 30202-060110 | NUT M6 | 4 | |
| F12-11 | 6KMV-170200-C000-M1 | FUEL LEVEL SENSOR | 1 | |
| F12-12 | 30601-111010 | CLAMP A11 | 1 | |
| F12-13 | 6KMV-120001-C000 | BREATHER HOSE, FUEL TANK | 1 | |
| F12-14 | 6KJ0-120330-10000 | QUICK JOINT | 2 | |
| F12-15 | 6KJ0-150903 | BUSHING | 5 | |
| F12-16 | 6KJ0-150902 | SEAL WASHER, TOP COVER | 1 | |
| F12-17 | 6KJ0-150901 | LOCK PAD, TOP COVER | 1 | |
| F12-18 | 30006-050020810 | BOLT M5x20 | 5 | |
| F12-19 | 6KJV-150900-8001 | FUEL PUMP ASSY | 1 | |
| F12-20 | 6070-120400 | CLAMP | 4 | |
| F12-21 | 6KM0-120210 | HIGH-PRESSURE FUEL HOSE, I | 1 | |
| F12-22 | 6090-120220 | FUEL FILTER ASSY, EFI | 1 | |
| F12-23 | 805A-120004 | FUEL FILTER, EFI | 1 | |
| F12-24 | 6KM0-120220 | HIGH-PRESSURE FUEL HOSE,II | 1 | |



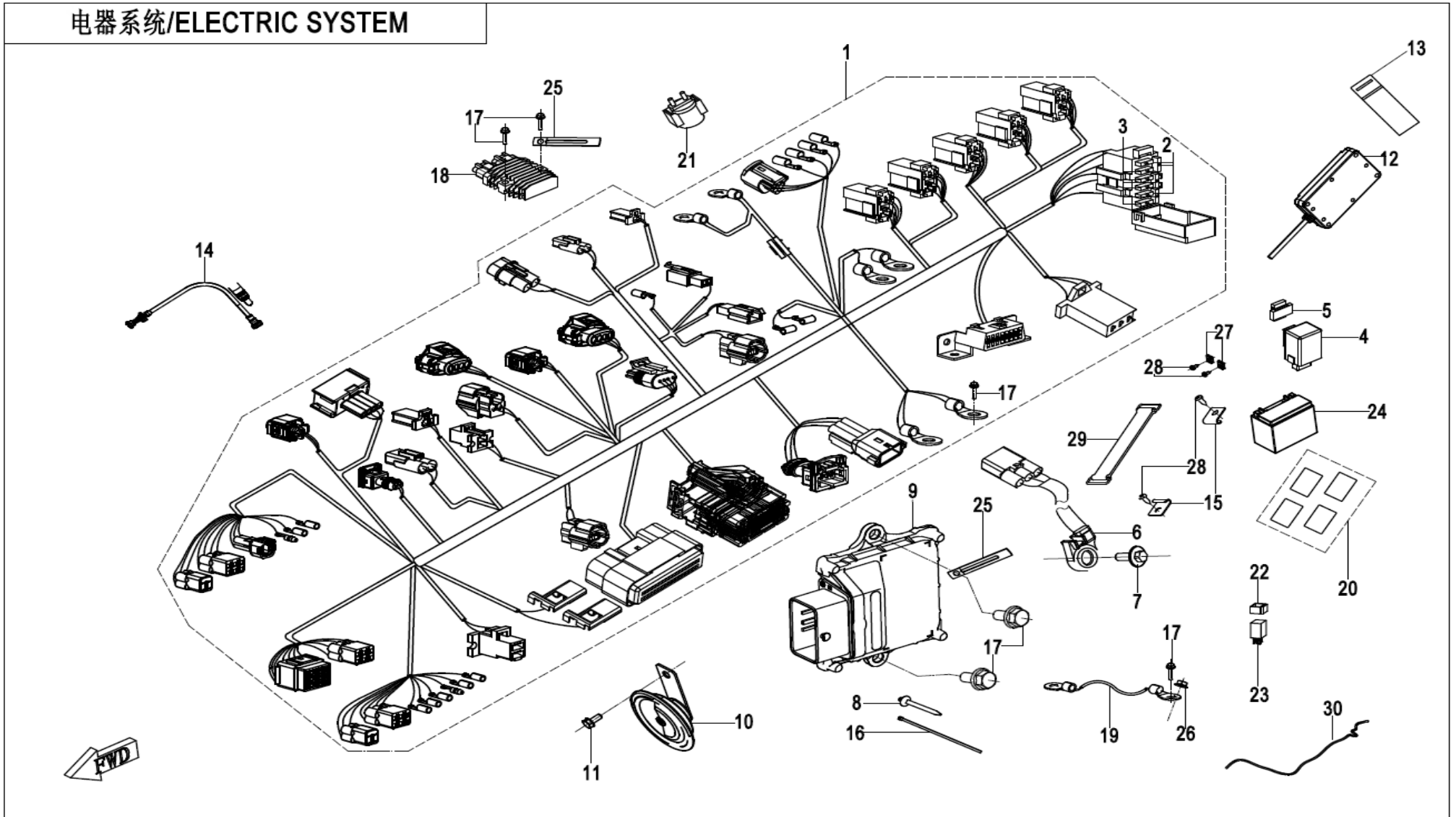
| NO. | CODE | EN DESCRIPTION | QTY | REMARKS |
|--------|------------------------|------------------------------|-----|---------|
| F13-01 | 6KMV-130100-C001 | SEAT | 1 | |
| F13-02 | 6KMV-041102-C000-0DD00 | REAR DECO STRAP, SEAT | 1 | |
| F13-03 | 30110-420095010 | SELF-TAPPING SCREW ST4.2x9.5 | 4 | |
| F13-04 | 6KM0-130205 | RUBBER | 4 | |

脚蹬/FOOTREST

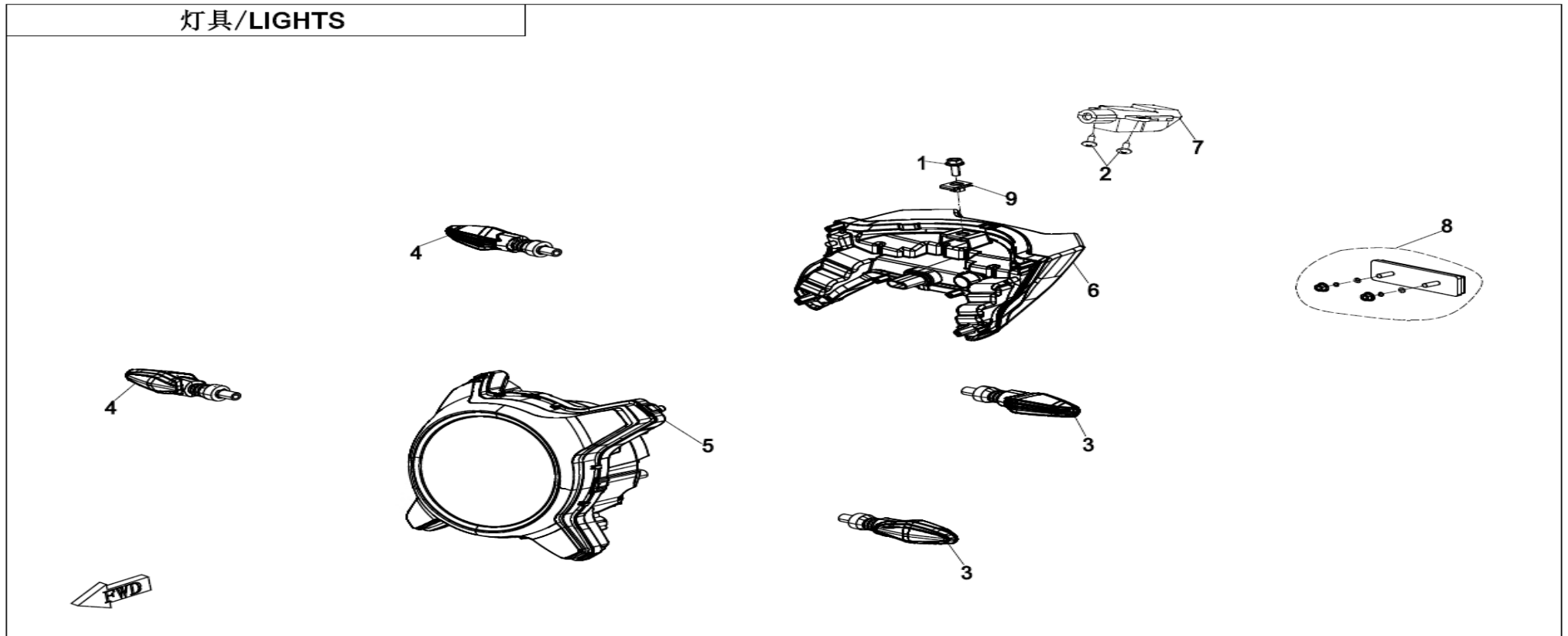


| NO. | CODE | EN DESCRIPTION | QTY | REMARKS |
|--------|------------------------|--------------------------------|-----|---------|
| F14-01 | 6GU#-140202-6000 | LIMIT BOLT | 2 | |
| F14-02 | 6GUV-140220-6003-0BP00 | FRONT FOOTREST SEAT, LH | 1 | |
| F14-03 | 30105-050014470 | SCREW | 8 | |
| F14-04 | 6GU#-140205-6000 | LH FRONT FOOTREST RUBBER | 1 | |
| F14-05 | 30903-0322210 | COTTER PIN | 2 | |
| F14-06 | 30300-100112 | WASHER | 2 | |
| F14-07 | A000-140103-20000 | SPRING | 2 | |
| F14-08 | 6WWV-140141-5000 | PIN SHAFT | 2 | |
| F14-09 | 6KMV-140600-C000 | BRACKET, LH FOOTREST | 1 | |
| F14-10 | 6GU#-140201-6000 | BOLT M8x25 | 4 | |
| F14-11 | A000-140142 | PIN SHAFT Dia 8 | 2 | |
| F14-12 | A000-140106 | LOCATING GASKET II | 2 | |
| F14-13 | A000-140104 | LOCATING GASKET I | 2 | |
| F14-14 | 30802-00603 | CIRCLIP 6 | 2 | |
| F14-15 | 5190-037813 | SPRING | 2 | |
| F14-16 | 5190-037814 | STEEL BALL | 2 | |
| F14-17 | 6GU#-140041-6000-0BP00 | LH REAR FOOTREST BOARD | 1 | |
| F14-18 | 6GU#-140080-6000 | RUBBER, REAR FOOTREST BOARD | 2 | |
| F14-19 | 6GU#-1400A0-6000-0BP00 | RUBBER, LH REAR FOOTREST BOARD | 1 | |
| F14-20 | 6KMV-140700-C000 | BRACKET, RH FOOTREST | 1 | |
| F14-21 | 6GU#-1400B0-6000-0BP00 | RUBBER, RH REAR FOOTREST BOARD | 1 | |
| F14-22 | 6GU#-140051-6000-0BP00 | RH REAR FOOTREST BOARD | 1 | |
| F14-23 | 6GU#-140206-6000 | RH FRONT FOOTREST RUBBER | 1 | |
| F14-24 | 6GUV-140230-6003-0BP00 | FRONT FOOTREST SEAT, RH | 1 | |
| F14-25 | 0010-021017-0010 | BOLT M6x25 | 1 | |
| F14-26 | 6KMV-141000-C001 | GEARSHIFT ASSY | 1 | |
| F14-27 | 6GU#-140097-6000 | FRONT DECO CLASP, FRAME | 2 | |

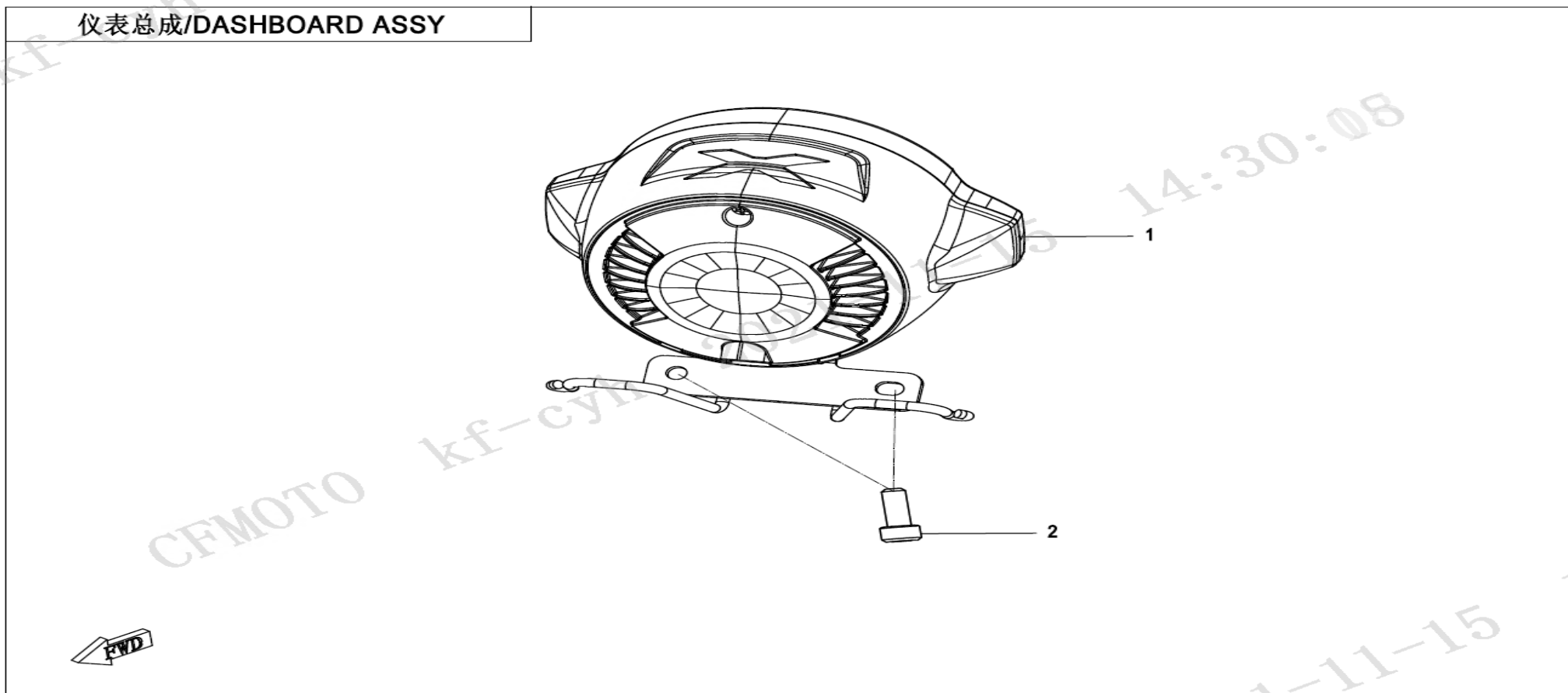
电器系统/ELECTRIC SYSTEM



| NO. | CODE | EN DESCRIPTION | QTY | REMARKS |
|--------|---------------------|--------------------------------------|-----|---------|
| F15-01 | 6KMV-150100-C001-10 | MAIN CABLE | 1 | |
| F15-02 | 806A-151302 | FUSE 10A | 3 | |
| F15-03 | 806A-151305 | FUSE 15A | 6 | |
| F15-04 | 6KM0-150340 | FLASHER | 1 | |
| F15-05 | 6100-150500 | RUBBER SLEEVE, FLASHER | 1 | |
| F15-06 | 6KMV-151200-8501 | SIDE STAND SWITCH | 1 | |
| F15-07 | 8010-090005 | BOLT M6x16 | 1 | |
| F15-08 | 7030-150005 | TIE BAND | 5 | |
| F15-09 | 6KMV-001000-C001 | ECU ASSY | 1 | |
| F15-10 | KNL0-150600 | HORN | 1 | |
| F15-11 | 30006-080016870 | BOLT | 1 | |
| F15-12 | 6GUV-151800-7501-M1 | T-BOX | 1 | |
| F15-13 | 6KMV-150901-B001 | RUBBER RING, T-BOX | 1 | |
| F15-14 | 0HU0-176000 | OXYGEN SENSOR | 1 | |
| F15-15 | A000-030005 | TIE BAND BRACKET, TOOLS KIT | 1 | |
| F15-16 | 8010-150003 | TIE BAND | 13 | |
| F15-17 | 30006-060012810 | BOLT M6x12 | 3 | |
| F15-18 | 6KJC-177000-8000 | REGULATOR | 1 | |
| F15-19 | 6KMV-150020-C000 | POSITIVE/NEGATIVE CABLE, START MOTOR | 1 | |
| F15-20 | 9010-120008 | SPONGE PAD, FUEL TANK | 6 | |
| F15-21 | 6KJ0-150500 | RELAY, STARTER | 1 | |
| F15-22 | 9010-150002 | RUBBER RING, AUXILIARY RELAY | 5 | |
| F15-23 | 5BY4-150330 | AUXILIARY RELAY | 5 | |
| F15-24 | 31020902 | BATTERY | 1 | |
| F15-25 | 0180-014010 | WIRE CLAMP | 2 | |
| F15-26 | 30202-060110 | NUT M6 | 1 | |
| F15-27 | 8080-000002 | CLIP NUT ST4.8 | 2 | |
| F15-28 | 30110-481130010 | SELF-TAPPING SCREW ST4.8x13 | 4 | |
| F15-29 | 1080-150700 | TIE BAND, BATTERY | 1 | |
| F15-30 | 6GU#-150400-6001 | AUXILIARY CABLE, LICENSE LIGHT | 1 | |
| F15-31 | 6KMV-030070-2000 | BRACKET, ABS | 1 | |

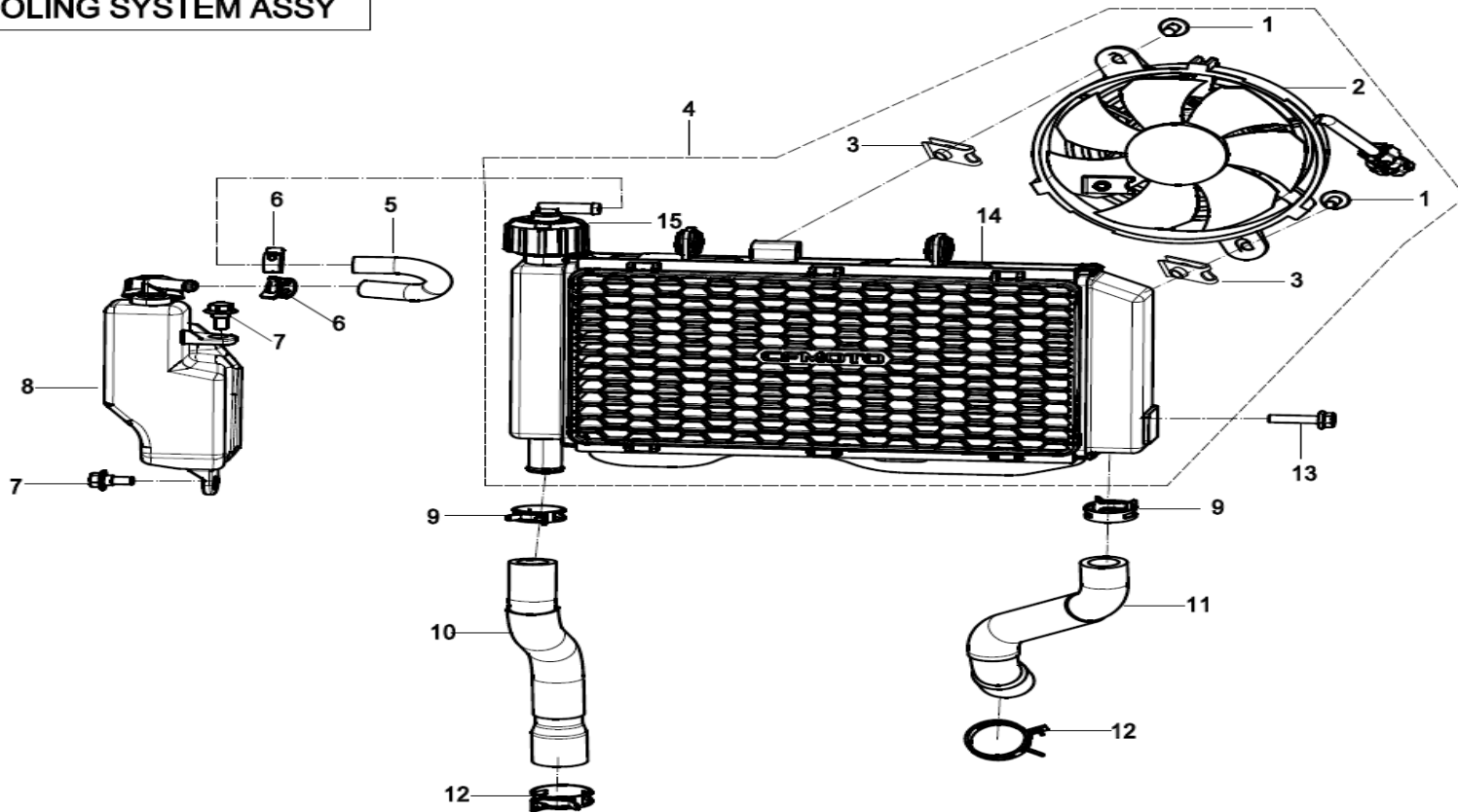


| NO. | CODE | EN DESCRIPTION | QTY | REMARKS |
|--------|-------------------|------------------------------|-----|---------|
| F16-01 | 30006-060022810 | BOLT | 1 | |
| F16-02 | 30110-350095010 | SELF-TAPPING SCREW ST3.5x9.5 | 2 | |
| F16-03 | 6GU#-160410-6002 | LH FRONT TURN LIGHT | 2 | |
| F16-04 | 6GU#-160420-6002 | RH FRONT TURN LIGHT | 2 | |
| F16-05 | 6KMV-160110-C000 | HEADLIGHT | 1 | BLACK |
| F16-05 | 6GUV-160110-7001 | HEADLIGHT | 1 | WHITE |
| F16-06 | 6GUV-162100-6003 | TAIL LIGHT ASSY | 1 | |
| F16-07 | 6FIV-160600-6601 | LICENSE LIGHT | 1 | |
| F16-08 | 6KM0-160230-00001 | REAR REFLECTOR | 1 | |
| F16-09 | 8030-040800-00001 | NUT CLIP M6 | 1 | |



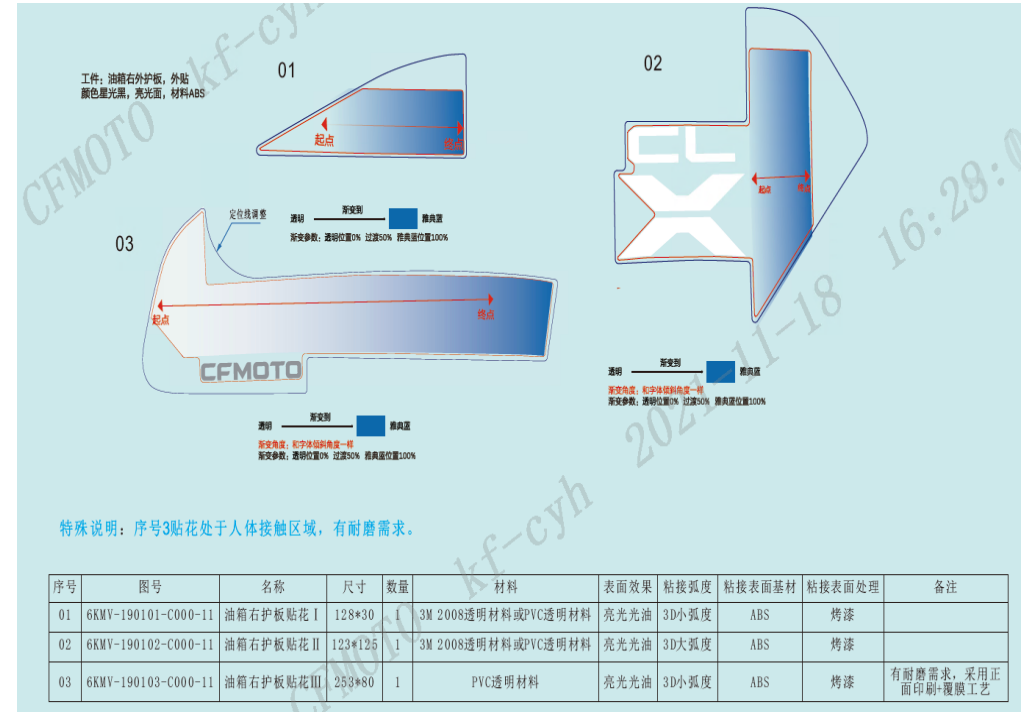
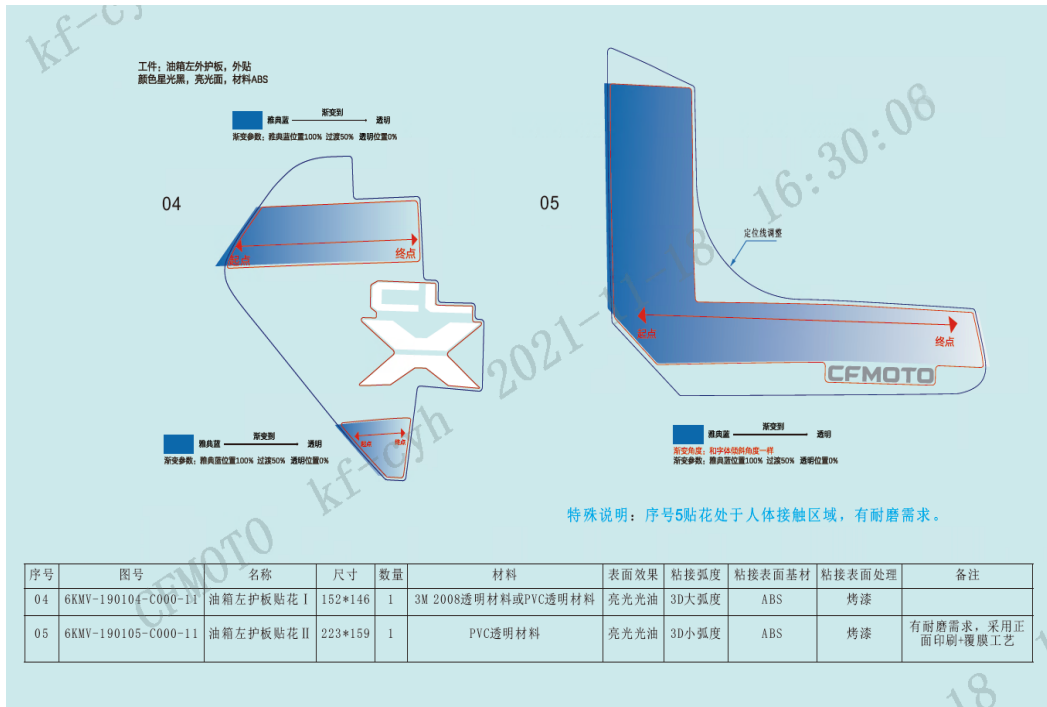
| NO. | CODE | EN DESCRIPTION | QTY | REMARKS |
|--------|------------------|----------------|-----|---------|
| F17-01 | 6KMV-171010-C300 | LCD DSAHBOARD | 1 | |
| F17-02 | 30006-080012810 | BOLT M8x12 | 2 | |

冷却系统总成/COOLING SYSTEM ASSY



| NO. | CODE | EN DESCRIPTION | QTY | REMARKS |
|--------|-------------------|---------------------------------|-----|---------|
| F18-01 | 30004-060016130 | BOLT M6x16 | 2 | |
| F18-02 | 6KMV-181200-6002 | FAN MOTOR ASSY | 1 | |
| F18-03 | 8030-040800-00001 | NUT CLIP M6 | 2 | |
| F18-04 | 6KMV-181000-C000 | RADIATOR FAN ASSY | 1 | |
| F18-05 | 6KMV-180004-C000 | CONNECTING PIPE, RESERVOIR TANK | 1 | |
| F18-06 | 30601-212570 | CLAMP | 2 | |
| F18-07 | 5HY#-040001-1000 | BOLT M6x14 | 2 | |
| F18-08 | 6KMV-180200-C000 | RESERVOIR TANK ASSY | 1 | |
| F18-09 | 6100-180001 | CLAMP B24 | 2 | |
| F18-10 | 6KM0-180002 | WATER OUTLET HOSE, RADIATOR | 1 | |
| F18-11 | 6KM0-180001 | WATER INLET HOSE, RADIATOR | 1 | |
| F18-12 | 6KM0-180004 | CLAMP B28 | 2 | |
| F18-13 | 30006-060025810 | BOLT M6x25 | 1 | |
| F18-14 | 6KMV-181100-C000 | RADIATOR ASSY | 1 | |
| F18-15 | 6KMV-181300-C000 | FILLER CAP ASSY | 1 | |

F19-2-A DECAL(NEBULA BLACK)



CF250-7 贴花

星光黑配色

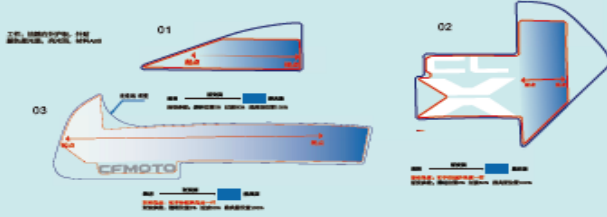
6KMV-190100-C000-11 个性贴花总成

贴花底材图例
(仅指供白光透明, 透光透光底材材料且备注)
透明亮光
透明哑光

特殊说明: 图纸表格内的材料为推荐材料, 允许使用其他满足使用要求或性能与推荐材料相当的替代材料。

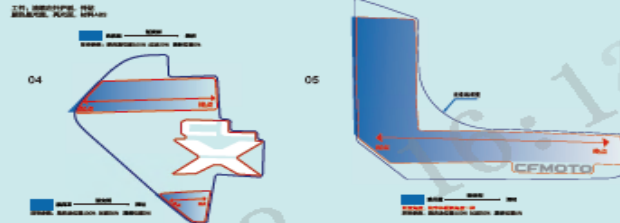
刀模线(半模线) 覆膜线(整模线)
透光底材 透光底材 透光底材
Paraflex Cool Gray 3.1 电铸膜

备注: 透光底材为透光底材(透光底材)



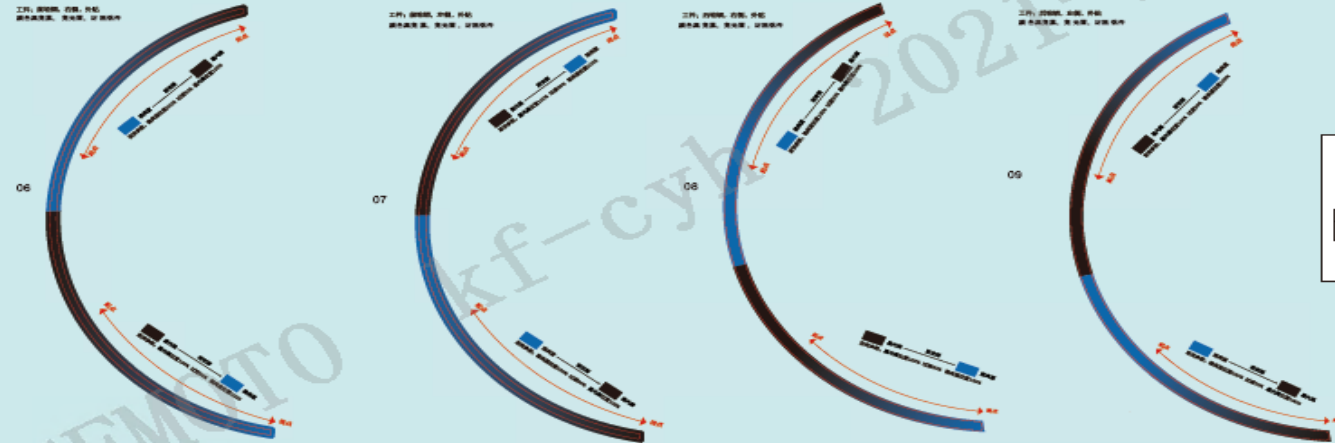
特殊说明: 序号03贴花处于人体接触区域, 有耐刮要求。

| 序号 | 图号 | 名称 | 尺寸 | 数量 | 材料 | 表面效果 | 贴花厚度 | 贴花厚度基材 | 贴花厚度公差 | 备注 |
|----|---------------------|-----------|---------|----|--------------------|------|-------|--------|--------|-------------------|
| 01 | 6KMV-190100-C000-11 | 侧盖右字模贴花 1 | 128*32 | 1 | 2K 2400透明材料或PC透明材料 | 透光底材 | 26个厚度 | ABS | 公差 | |
| 02 | 6KMV-190100-C000-11 | 侧盖右字模贴花 2 | 123*123 | 1 | 2K 2400透明材料或PC透明材料 | 透光底材 | 26个厚度 | ABS | 公差 | |
| 03 | 6KMV-190100-C000-11 | 侧盖右字模贴花 3 | 232*96 | 1 | PC透明材料 | 透光底材 | 26个厚度 | ABS | 公差 | 有耐刮要求, 透光底材在贴膜工艺上 |



特殊说明: 序号05贴花处于人体接触区域, 有耐刮要求。

| 序号 | 图号 | 名称 | 尺寸 | 数量 | 材料 | 表面效果 | 贴花厚度 | 贴花厚度基材 | 贴花厚度公差 | 备注 |
|----|---------------------|-----------|---------|----|--------------------|------|-------|--------|--------|-------------------|
| 04 | 6KMV-190100-C000-11 | 侧盖左字模贴花 1 | 112*72 | 1 | 2K 2400透明材料或PC透明材料 | 透光底材 | 26个厚度 | ABS | 公差 | |
| 05 | 6KMV-190100-C000-11 | 侧盖左字模贴花 2 | 221*110 | 1 | PC透明材料 | 透光底材 | 26个厚度 | ABS | 公差 | 有耐刮要求, 透光底材在贴膜工艺上 |

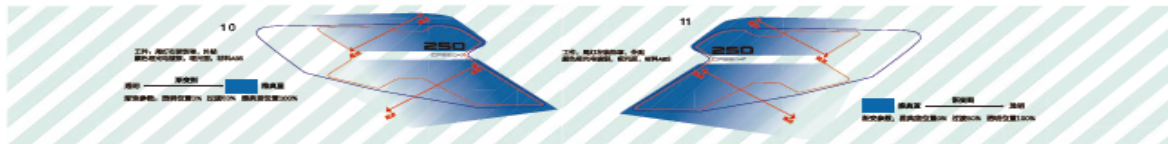


工作: 覆膜(半模线), 材料: 透光底材, 透光底材, 透光底材

12

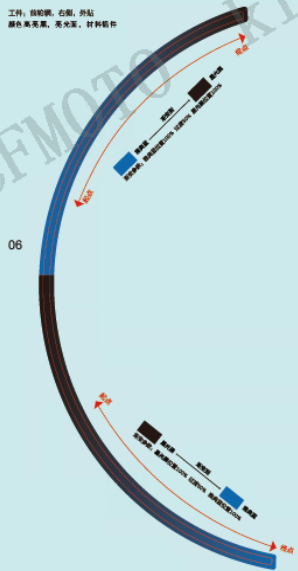
| 序号 | 图号 | 名称 | 尺寸 | 数量 | 材料 | 表面效果 | 贴花厚度 | 贴花厚度基材 | 贴花厚度公差 | 备注 |
|----|---------------------|-------|-------|----|--------------------|------|-------|----------|--------|----|
| 12 | 6KMV-190100-C000-10 | ABS贴花 | 65*20 | 2 | 2K 2400透明材料或PC透明材料 | 透光底材 | 26个厚度 | PA6+GF50 | 公差 | |

| 序号 | 图号 | 名称 | 尺寸 | 数量 | 材料 | 表面效果 | 贴花厚度 | 贴花厚度基材 | 贴花厚度公差 | 备注 |
|----|---------------------|--------|---------|----|--------------------|------|-------|--------|--------|----|
| 10 | 6KMV-190100-C000-11 | 前壳侧盖贴花 | 192*422 | 1 | 2K 2400透明材料或PC透明材料 | 透光底材 | 26个厚度 | 铝合金 | 公差 | |
| 11 | 6KMV-190100-C000-11 | 前壳侧盖贴花 | 192*422 | 1 | 2K 2400透明材料或PC透明材料 | 透光底材 | 26个厚度 | 铝合金 | 公差 | |
| 18 | 6KMV-190100-C000-11 | 后壳侧盖贴花 | 212*421 | 1 | 2K 2400透明材料或PC透明材料 | 透光底材 | 26个厚度 | 铝合金 | 公差 | |
| 19 | 6KMV-190100-C000-11 | 后壳侧盖贴花 | 212*421 | 1 | 2K 2400透明材料或PC透明材料 | 透光底材 | 26个厚度 | 铝合金 | 公差 | |

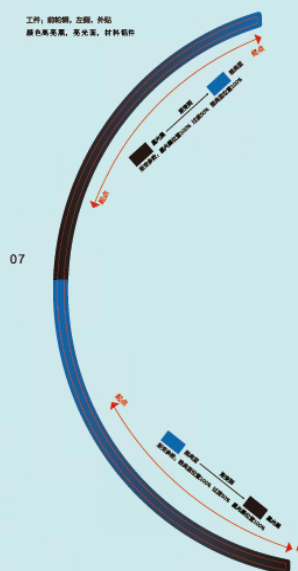


| 序号 | 图号 | 名称 | 尺寸 | 数量 | 材料 | 表面效果 | 贴花厚度 | 贴花厚度基材 | 贴花厚度公差 | 备注 |
|----|---------------------|--------|--------|----|--------------------|------|-------|--------|--------|----------|
| 20 | 6KMV-190111-C000-11 | 尾灯右侧贴花 | 154*96 | 1 | 2K 2400透明材料或PC透明材料 | 透光底材 | 26个厚度 | ABS | 公差 | 特殊: 透光底材 |
| 21 | 6KMV-190112-C000-11 | 尾灯左侧贴花 | 154*96 | 1 | 2K 2400透明材料或PC透明材料 | 透光底材 | 26个厚度 | ABS | 公差 | 特殊: 透光底材 |

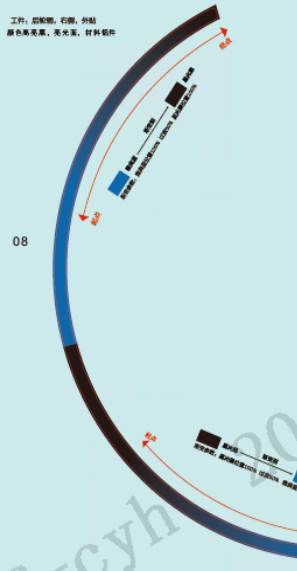
工件：后轮圈、右圈、外胎
颜色效果黑、亮光蓝、材料铝件



工件：后轮圈、左圈、外胎
颜色效果亮黑、亮光蓝、材料铝件



工件：后轮圈、右圈、外胎
颜色效果亮黑、亮光蓝、材料铝件



工件：后轮圈、左圈、外胎
颜色效果亮黑、亮光蓝、材料铝件



| 序号 | 图号 | 名称 | 尺寸 | 数量 | 材料 | 表面效果 | 粘接弧度 | 粘接表面基材 | 粘接表面处理 |
|----|---------------------|--------|---------|----|------------------------|------|-------|--------|--------|
| 06 | 6KMV-190106-C000-11 | 前轮圈右贴花 | 181*432 | 1 | 3M 2008透明材料或100E+3的080 | 亮光光油 | 3D小弧度 | 铝合金 | 烤漆 |
| 07 | 6KMV-190107-C000-11 | 前轮圈左贴花 | 181*432 | 1 | 3M 2008透明材料或100E+3的080 | 亮光光油 | 3D小弧度 | 铝合金 | 烤漆 |
| 08 | 6KMV-190108-C000-11 | 后轮圈右贴花 | 212*431 | 1 | 3M 2008透明材料或100E+3的080 | 亮光光油 | 3D小弧度 | 铝合金 | 烤漆 |
| 09 | 6KMV-190109-C000-11 | 后轮圈左贴花 | 212*431 | 1 | 3M 2008透明材料或100E+3的080 | 亮光光油 | 3D小弧度 | 铝合金 | 烤漆 |

工件：前减左右装饰圈、外胎

图例件，材料PMA+GF50

12

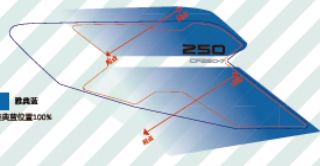


| 序号 | 图号 | 名称 | 尺寸 | 数量 | 材料 | 表面效果 | 粘接弧度 | 粘接表面基材 | 粘接表面处理 |
|----|---------------------|-------|-------|----|---------------------|------|-------|----------|--------|
| 12 | 6KMV-190113-C000-10 | ABS贴花 | 65*10 | 2 | 3M 2008透明材料或100透明材料 | 哑光光油 | 3D小弧度 | PA6+GF50 | 皮 |

10

工件：尾灯右装饰圈、外胎
颜色效果电镜绿、银光蓝、材料ABS

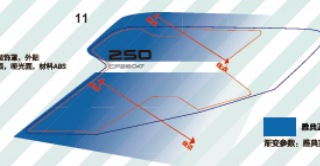
透明 — 亮光蓝 — 电镜绿
完全参数：透明位置0% 过蓝50% 电镜绿位置100%



11

工件：尾灯左装饰圈、外胎
颜色效果电镜绿、银光蓝、材料ABS

电镜绿 — 亮光蓝 — 透明
完全参数：电镜绿位置0% 过蓝50% 透明位置100%



| 序号 | 图号 | 名称 | 尺寸 | 数量 | 材料 | 表面效果 | 粘接弧度 | 粘接表面基材 | 粘接表面处理 |
|----|---------------------|----------|--------|----|--------------------|------|-------|--------|------------|
| 10 | 6KMV-190111-C000-11 | 尾灯右装饰圈贴花 | 184*80 | 1 | 3M 2008透明材料或VC透明材料 | 哑光光油 | 3D小弧度 | ABS | 烤漆, 哑光电镜绿色 |
| 11 | 6KMV-190112-C000-11 | 尾灯左装饰圈贴花 | 184*80 | 1 | 3M 2008透明材料或VC透明材料 | 哑光光油 | 3D小弧度 | ABS | 烤漆, 哑光电镜绿色 |

| NO. | CODE | EN DESCRIPTION | QTY | REMARKS |
|------------|---------------------|---------------------------------|-----|---------|
| F19-2-A-01 | 6KMV-190101-C000-11 | DECAL 1, FUEL TANK RH PANEL | 1 | |
| F19-2-A-02 | 6KMV-190102-C000-11 | DECAL 2, FUEL TANK RH PANEL | 1 | |
| F19-2-A-03 | 6KMV-190103-C000-11 | DECAL 3, FUEL TANK RH PANEL | 1 | |
| F19-2-A-04 | 6KMV-190104-C000-11 | DECAL 1, FUEL TANK LH PANEL | 1 | |
| F19-2-A-05 | 6KMV-190105-C000-11 | DECAL 2, FUEL TANK LH PANEL | 1 | |
| F19-2-A-06 | 6KMV-190106-C000-11 | RH DECAL, FRONT RIM | 1 | |
| F19-2-A-07 | 6KMV-190107-C000-11 | LH DECAL, FRONT RIM | 1 | |
| F19-2-A-08 | 6KMV-190108-C000-11 | RH DECAL, REAR RIM | 1 | |
| F19-2-A-09 | 6KMV-190109-C000-11 | LH DECAL, REAR RIM | 1 | |
| F19-2-A-10 | 6KMV-190111-C000-11 | DECAL, TAIL LIGHT RH DECO GUARD | 1 | |
| F19-2-A-11 | 6KMV-190112-C000-11 | DECAL, TAIL LIGHT LH DECO GUARD | 1 | |
| F19-2-A-12 | 6KMV-190113-C000-10 | ABS DECAL | 2 | |

CFMOTO kf-cyh

2021-11-18 16:23:00

工件：油箱右外护板，外贴
颜色星光白，亮光面，材料ABS

01

起点 终点

透明 渐变到 电镀银

渐变角度：和字体倾斜角度一样
渐变参数：透明位置100% 过渡50% 电镀银位置0%

02

起点 终点

透明 渐变到 电镀银

渐变角度：和字体倾斜角度一样
渐变参数：透明位置100% 过渡50% 电镀银位置0%

03

定位线调整

起点 终点

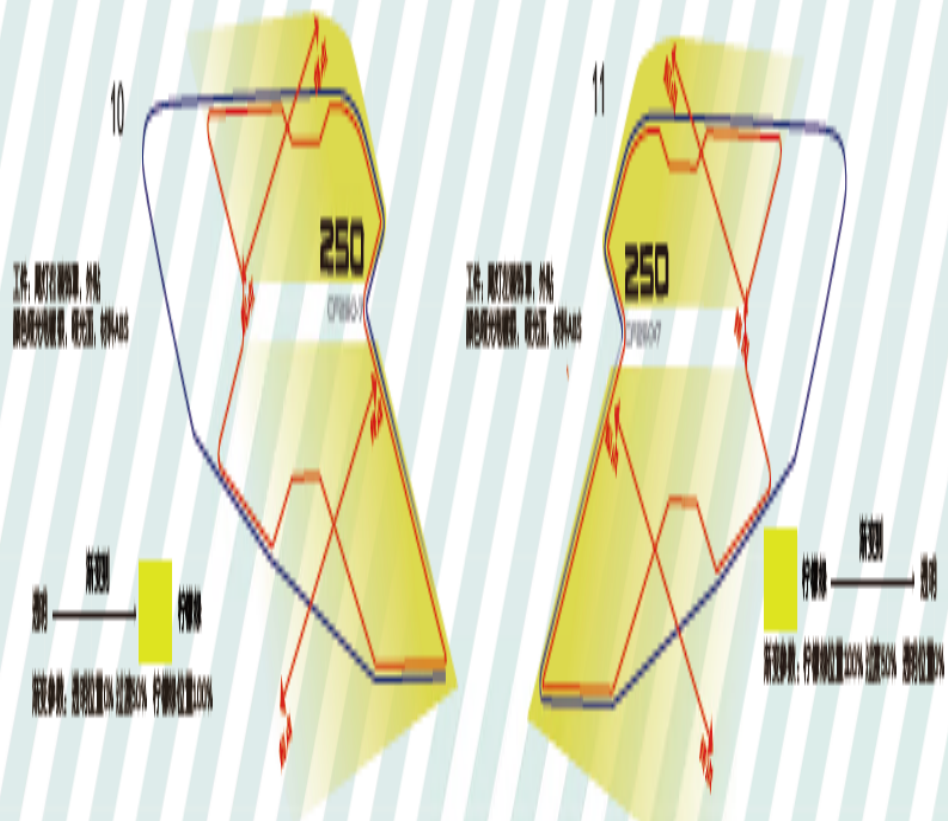
透明 渐变到 电镀银

渐变角度：和字体倾斜角度一样
渐变参数：透明位置100% 过渡50% 电镀银位置0%

CFMOTO

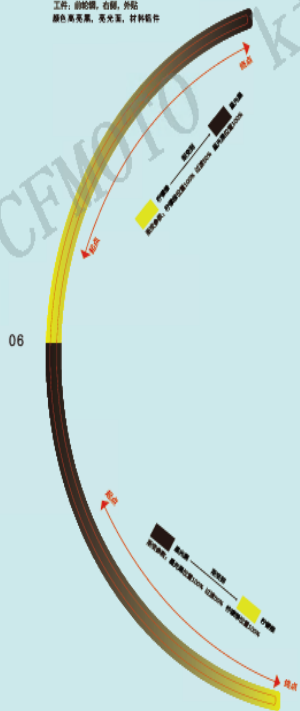
特殊说明：序号3贴花处于人体接触区域，有耐磨需求。

| 序号 | 图号 | 名称 | 尺寸 | 数量 | 材料 | 表面效果 | 粘接弧度 | 粘接表面基材 | 粘接表面处理 | 备注 |
|----|---------------------|-------------|---------|----|---------------------|------|-------|--------|--------|-------------------|
| 01 | 6KMV-190101-C000-10 | 油箱右护板贴花 I | 128*30 | 1 | 3M 2008透明材料或PVC透明材料 | 亮光光油 | 3D小弧度 | ABS | 烤漆 | |
| 02 | 6KMV-190102-C000-10 | 油箱右护板贴花 II | 123*125 | 1 | 3M 2008透明材料或PVC透明材料 | 亮光光油 | 3D大弧度 | ABS | 烤漆 | |
| 03 | 6KMV-190103-C000-10 | 油箱右护板贴花 III | 253*80 | 1 | PVC透明材料 | 亮光光油 | 3D小弧度 | ABS | 烤漆 | 有耐磨需求，采用正面印刷+覆膜工艺 |

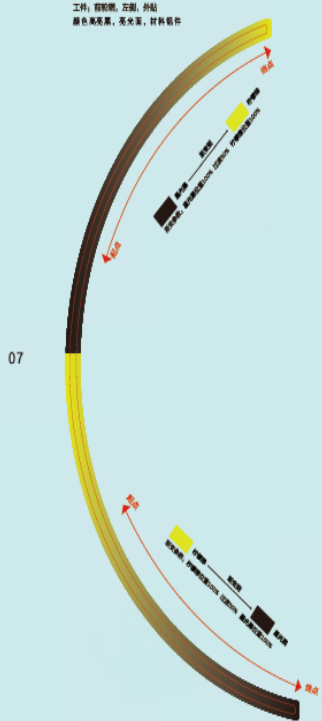


| 序号 | 图号 | 名称 | 尺寸 | 数量 | 材料 | 表面效果 | 粘接弧度 | 粘接表面基材 | 粘接表面处理 |
|----|--------------------|----------|--------|----|--------------------|------|--------|--------|-----------|
| 10 | 6XW-190111-C000-10 | 尾灯右装饰罩粘花 | 184*40 | 1 | 3M 2008透明材料或PC透明材料 | 哑光光油 | 30°大弧度 | ABS | 烤漆/哑光电镀银色 |
| 11 | 6XW-190112-C000-10 | 尾灯左装饰罩粘花 | 184*40 | 1 | 3M 2008透明材料或PC透明材料 | 哑光光油 | 30°大弧度 | ABS | 烤漆/哑光电镀银色 |

工件：前轮圈，右侧，外贴
颜色为亮黑，亮光蓝，材料铝件



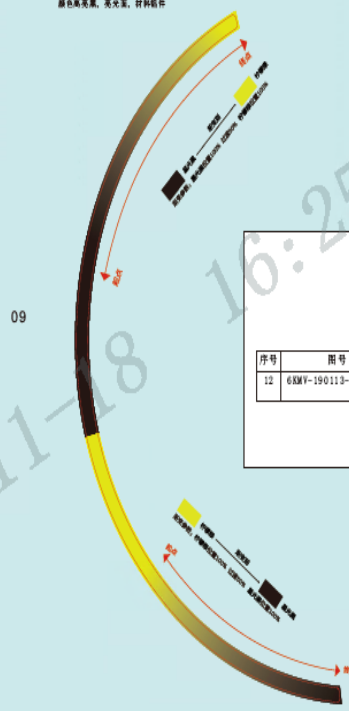
工件：前轮圈，左侧，外贴
颜色为亮黑，亮光蓝，材料铝件



工件：后轮圈，右侧，外贴
颜色为亮黑，亮光蓝，材料铝件



工件：后轮圈，左侧，外贴
颜色为亮黑，亮光蓝，材料铝件



工件：前减左右装饰罩，外贴
底附件，材料PA6-GF50

12

| 序号 | 图号 | 名称 | 尺寸 | 数量 | 材料 | 表面效果 | 粘接弧度 | 粘接表面基材 | 粘接表面 |
|----|--------------------|-------|-------|----|-------------------------|------|--------|----------|------|
| 12 | 6XW-190113-C000-10 | ABS黏花 | 65*10 | 2 | 3M 180ac透明材料或Dae110透明材料 | 哑光光油 | 30°小弧度 | PA6+GF50 | 皮纹 |

| 序号 | 图号 | 名称 | 尺寸 | 数量 | 材料 | 表面效果 | 粘接弧度 | 粘接表面基材 | 粘接表面处理 |
|----|--------------------|--------|---------|----|-------------------------|------|--------|--------|--------|
| 06 | 6XW-190106-C000-10 | 前轮圈右黏花 | 181*432 | 1 | 3M 2008透明材料或1002+3M9080 | 亮光光油 | 30°小弧度 | 铝合金 | 烤漆 |
| 07 | 6XW-190107-C000-10 | 前轮圈左黏花 | 181*432 | 1 | 3M 2008透明材料或1002+3M9080 | 亮光光油 | 30°小弧度 | 铝合金 | 烤漆 |
| 08 | 6XW-190108-C000-10 | 后轮圈右黏花 | 212*431 | 1 | 3M 2008透明材料或1002+3M9080 | 亮光光油 | 30°小弧度 | 铝合金 | 烤漆 |
| 09 | 6XW-190109-C000-10 | 后轮圈左黏花 | 212*431 | 1 | 3M 2008透明材料或1002+3M9080 | 亮光光油 | 30°小弧度 | 铝合金 | 烤漆 |

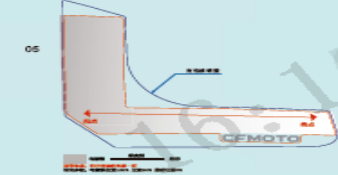
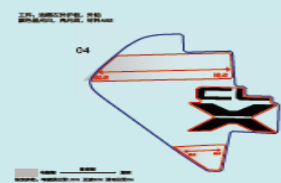
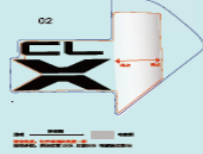
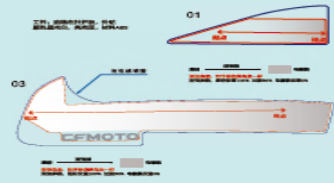
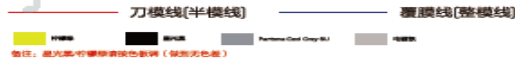
cyh

CF250-7 贴花

星光白配色

6KMV-190100-C000-10 个性贴花总成

贴花底材图例 (纹样为星光白/透明, 星光为星光材料且加备注) 透明亮光
透明哑光

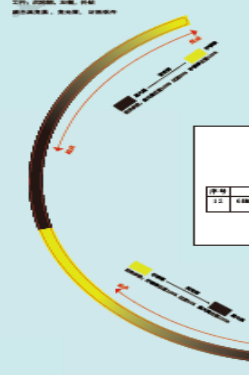
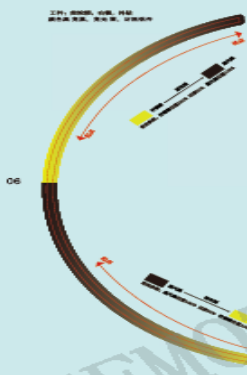


特殊说明: 序号01~03位于人体接触区域, 有耐刮需求。

| 序号 | 图号 | 名称 | 尺寸 | 数量 | 材料 | 表面处理 | 胶垫厚度 | 胶垫硬度 | 胶垫厚度基材 | 胶垫厚度胶道 | 备注 |
|----|---------------------|----------|--------|----|--------------------|-------|-------|------|--------|----------------|----|
| 01 | 6KMV-190100-C000-10 | 侧盖左字模贴花1 | 122*40 | 1 | 3M 2668透明材料或PC透明材料 | 星光/无光 | 1.6mm | 80D | 透明 | 透明 | |
| 02 | 6KMV-190100-C000-10 | 侧盖左字模贴花2 | 122*42 | 1 | 3M 2668透明材料或PC透明材料 | 星光/无光 | 1.6mm | 80D | 透明 | 透明 | |
| 03 | 6KMV-190100-C000-10 | 侧盖左字模贴花3 | 223*40 | 1 | PC透明材料 | 星光/无光 | 1.6mm | 80D | 透明 | 有耐刮需求, 星光+透明星光 | |

特殊说明: 序号04~05位于人体接触区域, 有耐刮需求。

| 序号 | 图号 | 名称 | 尺寸 | 数量 | 材料 | 表面处理 | 胶垫厚度 | 胶垫硬度 | 胶垫厚度基材 | 胶垫厚度胶道 | 备注 |
|----|---------------------|----------|--------|----|--------------------|-------|-------|------|--------|----------------|----|
| 04 | 6KMV-190100-C000-10 | 侧盖左字模贴花1 | 122*40 | 1 | 3M 2668透明材料或PC透明材料 | 星光/无光 | 1.6mm | 80D | 透明 | 透明 | |
| 05 | 6KMV-190100-C000-10 | 侧盖左字模贴花2 | 223*40 | 1 | PC透明材料 | 星光/无光 | 1.6mm | 80D | 透明 | 有耐刮需求, 星光+透明星光 | |

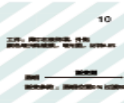


工作: 印刷, 贴膜, 封装
表面处理: 星光, 透明

12

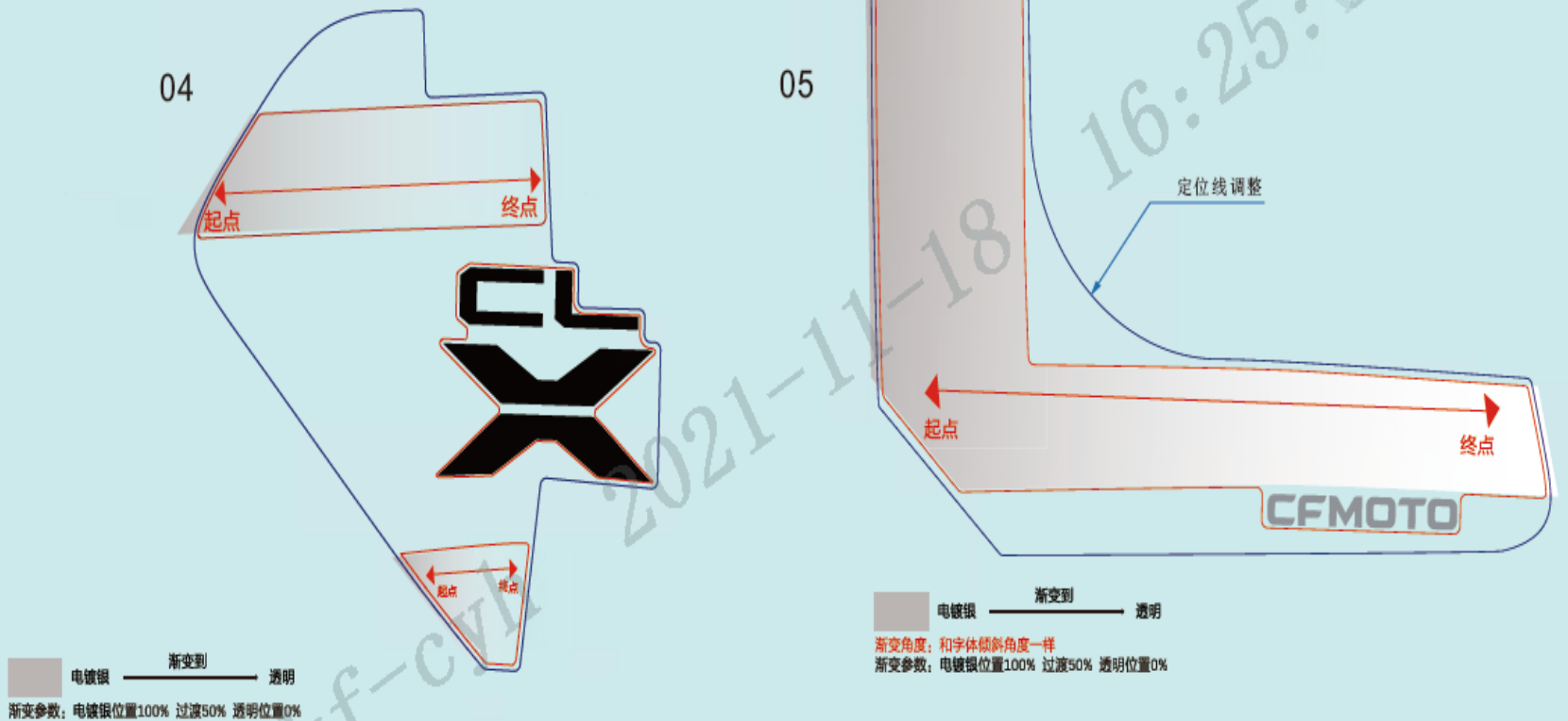
| 序号 | 图号 | 名称 | 尺寸 | 数量 | 材料 | 表面处理 | 胶垫厚度 | 胶垫硬度 | 胶垫厚度基材 | 胶垫厚度胶道 | 备注 |
|----|---------------------|----------|-------|----|--------------------|-------|-------|------|--------|--------|----|
| 12 | 6KMV-190100-C000-10 | 侧盖左字模贴花3 | 65*10 | 2 | 3M 2668透明材料或PC透明材料 | 星光/无光 | 1.6mm | 80D | 透明 | 透明 | |

| 序号 | 图号 | 名称 | 尺寸 | 数量 | 材料 | 表面处理 | 胶垫厚度 | 胶垫硬度 | 胶垫厚度基材 | 胶垫厚度胶道 | 备注 |
|----|---------------------|----------|--------|----|--------------------|-------|-------|------|--------|--------|----|
| 10 | 6KMV-190100-C000-10 | 侧盖左字模贴花1 | 122*42 | 1 | 3M 2668透明材料或PC透明材料 | 星光/无光 | 1.6mm | 80D | 透明 | 透明 | |
| 11 | 6KMV-190100-C000-10 | 侧盖左字模贴花2 | 122*42 | 1 | 3M 2668透明材料或PC透明材料 | 星光/无光 | 1.6mm | 80D | 透明 | 透明 | |
| 12 | 6KMV-190100-C000-10 | 侧盖左字模贴花3 | 212*42 | 1 | 3M 2668透明材料或PC透明材料 | 星光/无光 | 1.6mm | 80D | 透明 | 透明 | |
| 13 | 6KMV-190100-C000-10 | 侧盖左字模贴花4 | 212*42 | 1 | 3M 2668透明材料或PC透明材料 | 星光/无光 | 1.6mm | 80D | 透明 | 透明 | |
| 14 | 6KMV-190100-C000-10 | 侧盖左字模贴花5 | 212*42 | 1 | 3M 2668透明材料或PC透明材料 | 星光/无光 | 1.6mm | 80D | 透明 | 透明 | |



| 序号 | 图号 | 名称 | 尺寸 | 数量 | 材料 | 表面处理 | 胶垫厚度 | 胶垫硬度 | 胶垫厚度基材 | 胶垫厚度胶道 | 备注 |
|----|---------------------|----------|--------|----|--------------------|-------|-------|------|--------|--------|----|
| 10 | 6KMV-190100-C000-10 | 侧盖左字模贴花1 | 122*42 | 1 | 3M 2668透明材料或PC透明材料 | 星光/无光 | 1.6mm | 80D | 透明 | 透明 | |
| 11 | 6KMV-190100-C000-10 | 侧盖左字模贴花2 | 122*42 | 1 | 3M 2668透明材料或PC透明材料 | 星光/无光 | 1.6mm | 80D | 透明 | 透明 | |

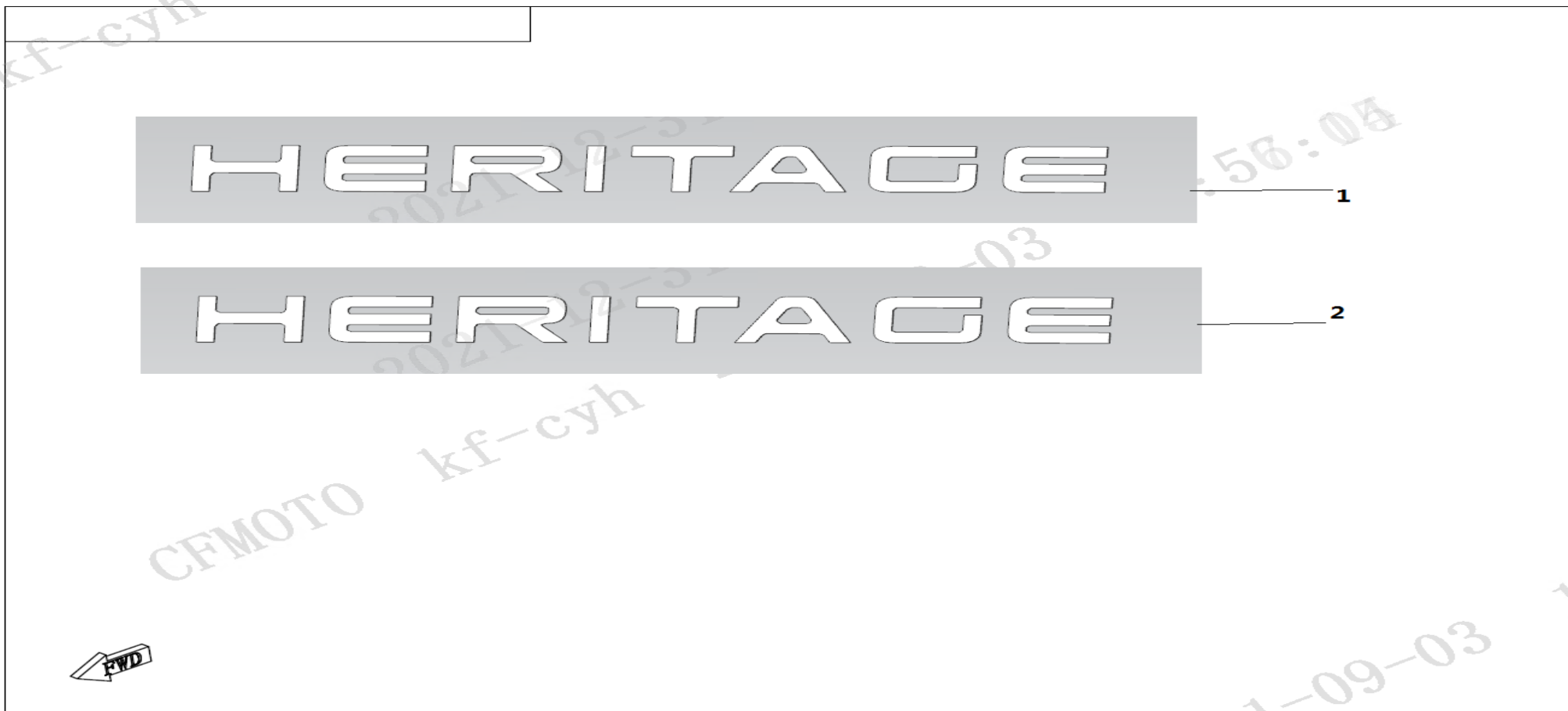
工件：油箱左外护板，外贴
颜色星光白，亮光面，材料ABS



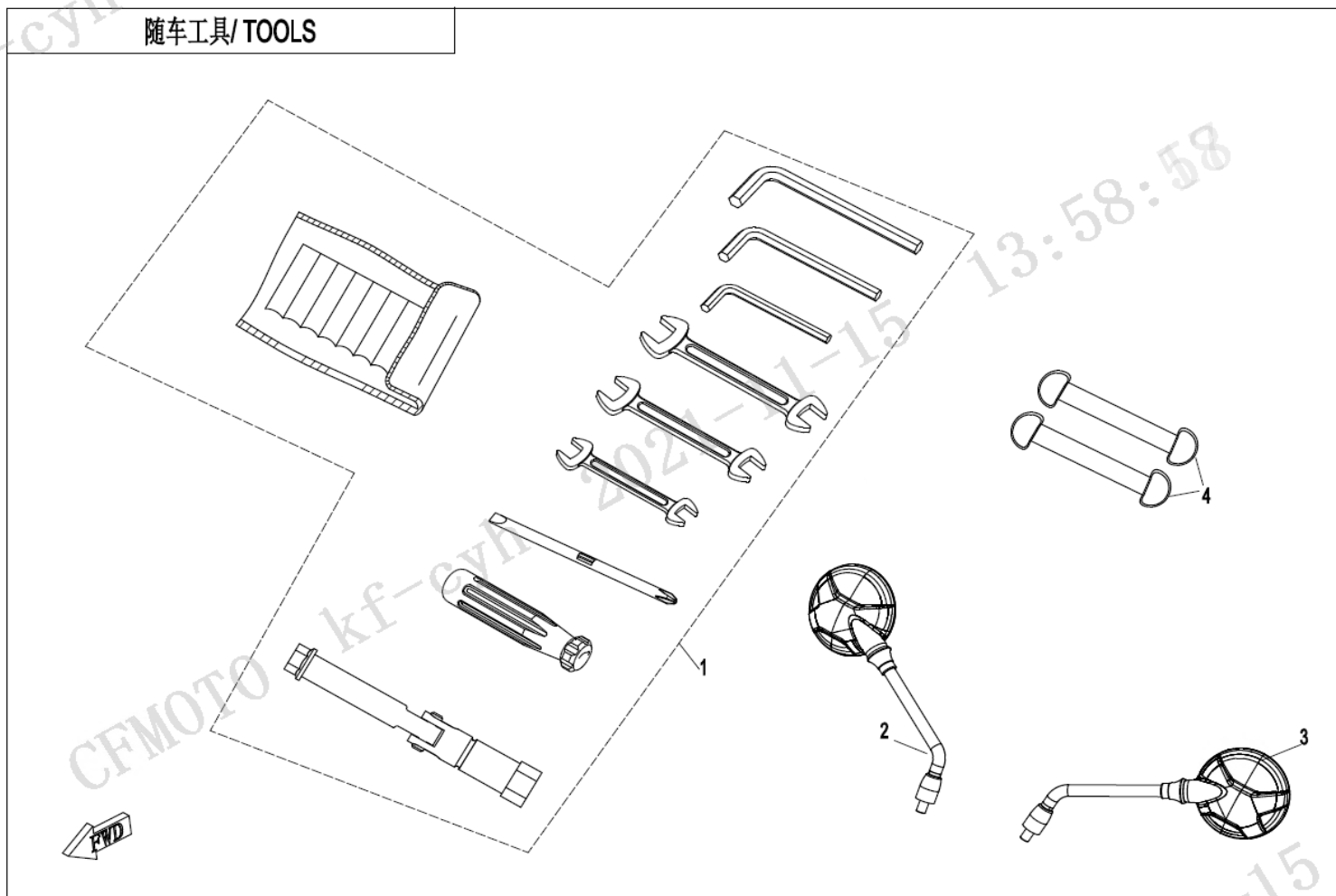
特殊说明：序号5贴花处于人体接触区域，有耐磨需求。

| 序号 | 图号 | 名称 | 尺寸 | 数量 | 材料 | 表面效果 | 粘接弧度 | 粘接表面基材 | 粘接表面处理 | 备注 |
|----|---------------------|------------|---------|----|---------------------|------|-------|--------|--------|-------------------|
| 04 | 6KMV-190104-C000-10 | 油箱左护板贴花 I | 152*146 | 1 | 3M 2008透明材料或PVC透明材料 | 亮光光油 | 3D大弧度 | ABS | 烤漆 | |
| 05 | 6KMV-190105-C000-10 | 油箱左护板贴花 II | 223*159 | 1 | PVC透明材料 | 亮光光油 | 3D小弧度 | ABS | 烤漆 | 有耐磨需求，采用正面印刷+覆膜工艺 |

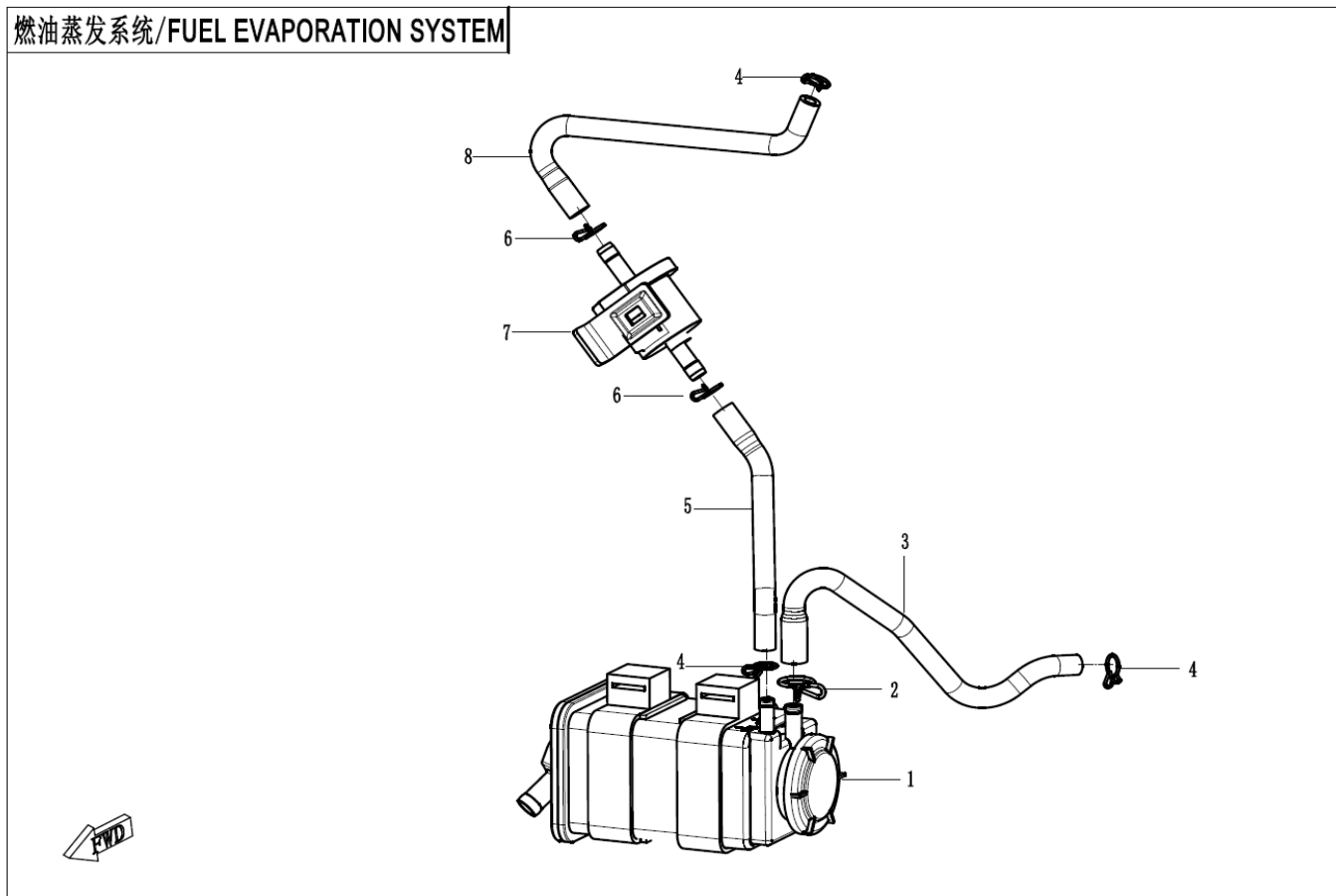
| NO. | CODE | EN DESCRIPTION | QTY | REMARKS |
|------------|---------------------|---------------------------------|-----|---------|
| F19-2-B-01 | 6KMV-190101-C000-10 | DECAL 1, FUEL TANK RH PANEL | 1 | |
| F19-2-B-02 | 6KMV-190102-C000-10 | DECAL 2, FUEL TANK RH PANEL | 1 | |
| F19-2-B-03 | 6KMV-190103-C000-10 | DECAL 3, FUEL TANK RH PANEL | 1 | |
| F19-2-B-04 | 6KMV-190104-C000-10 | DECAL 1, FUEL TANK LH PANEL | 1 | |
| F19-2-B-05 | 6KMV-190105-C000-10 | DECAL 2, FUEL TANK LH PANEL | 1 | |
| F19-2-B-06 | 6KMV-190106-C000-10 | RH DECAL, FRONT RIM | 1 | |
| F19-2-B-07 | 6KMV-190107-C000-10 | LH DECAL, FRONT RIM | 1 | |
| F19-2-B-08 | 6KMV-190108-C000-10 | RH DECAL, REAR RIM | 1 | |
| F19-2-B-09 | 6KMV-190109-C000-10 | LH DECAL, REAR RIM | 1 | |
| F19-2-B-10 | 6KMV-190111-C000-10 | DECAL, TAIL LIGHT RH DECO GUARD | 1 | |
| F19-2-B-11 | 6KMV-190112-C000-10 | DECAL, TAIL LIGHT LH DECO GUARD | 1 | |
| F19-2-B-12 | 6KMV-190113-C000-10 | ABS DECAL | 2 | |



| NO. | CODE | EN DESCRIPTION | QTY | REMARKS |
|------------|------------------|-----------------------|-----|---------|
| F19-3-A-01 | 6KMV-190001-C100 | LH BEACON, DECO PLATE | 1 | |
| F19-3-A-02 | 6KMV-190002-C100 | RH BEACON, DECO PLATE | 1 | |
| F19-3-A-01 | 6KMV-190003-C100 | LH BEACON, DECO PLATE | 1 | |
| F19-3-A-02 | 6KMV-190004-C100 | RH BEACON, DECO PLATE | 1 | |

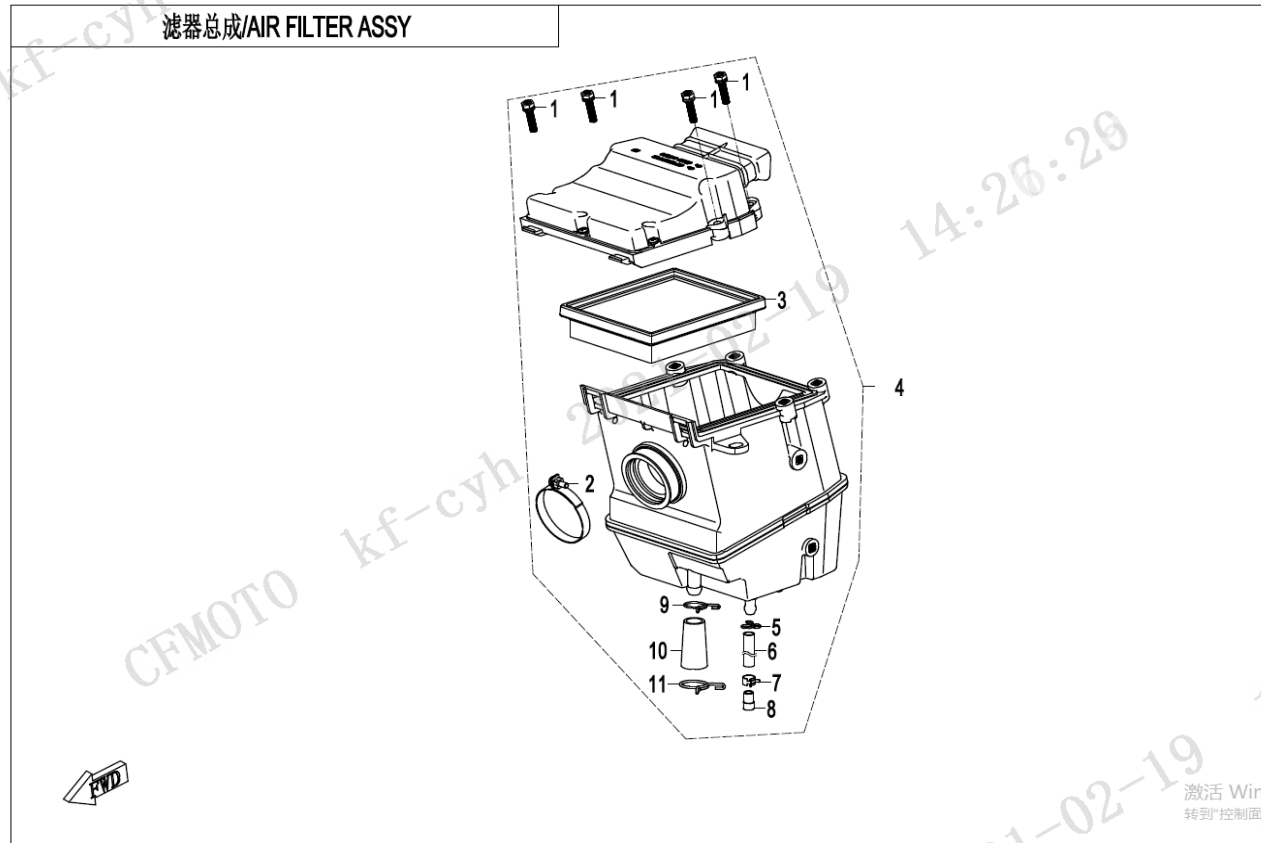


| NO. | CODE | EN DESCRIPTION | QTY | REMARKS |
|--------|------------------|--------------------------|-----|---------|
| F20-02 | 6KMV-200300-C000 | RH REAR VIEW MIRROR ASSY | 1 | |
| F20-03 | 6KMV-200200-C000 | LH REAR VIEW MIRROR ASSY | 1 | |
| F20-04 | 8010-000012 | TIE BAND ASSY | 2 | |



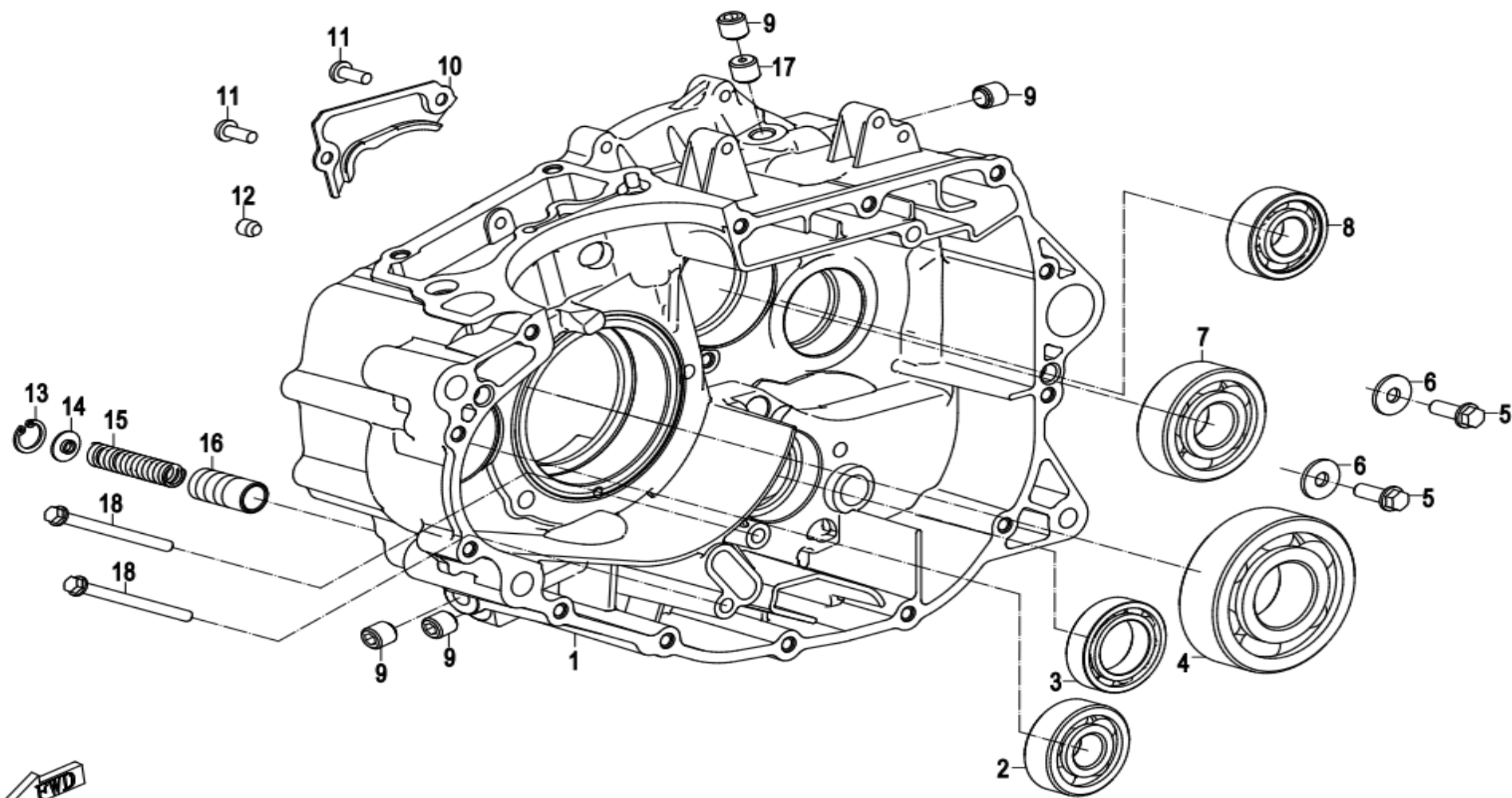
| NO. | CODE | EN DESCRIPTION | QTY | REMARKS |
|--------|------------------|------------------------------|-----|---------|
| F36-01 | 6NT1-360200 | CANISTER | 1 | |
| F36-02 | 30601-112010 | CLAMP A12 | 1 | |
| F36-03 | 6KMV-360003-C000 | FUEL VAPOR DESORPTION HOSE | 1 | |
| F36-04 | 30601-109010 | JOINT, HEAT TRANSMIT PIPE | 3 | |
| F36-05 | 6KMV-360002-C000 | FUEL VAPOR ADSORPTION HOSE 2 | 1 | |
| F36-06 | 30601-110010 | CLAMP A10 | 1 | |
| F36-07 | 9GQ0-360100 | TWO-WAY VALVE | 1 | |
| F36-08 | 6KMV-360001-C000 | FUEL VAPOR ADSORPTION HOSE 1 | 1 | |

F41 AIR FILTER



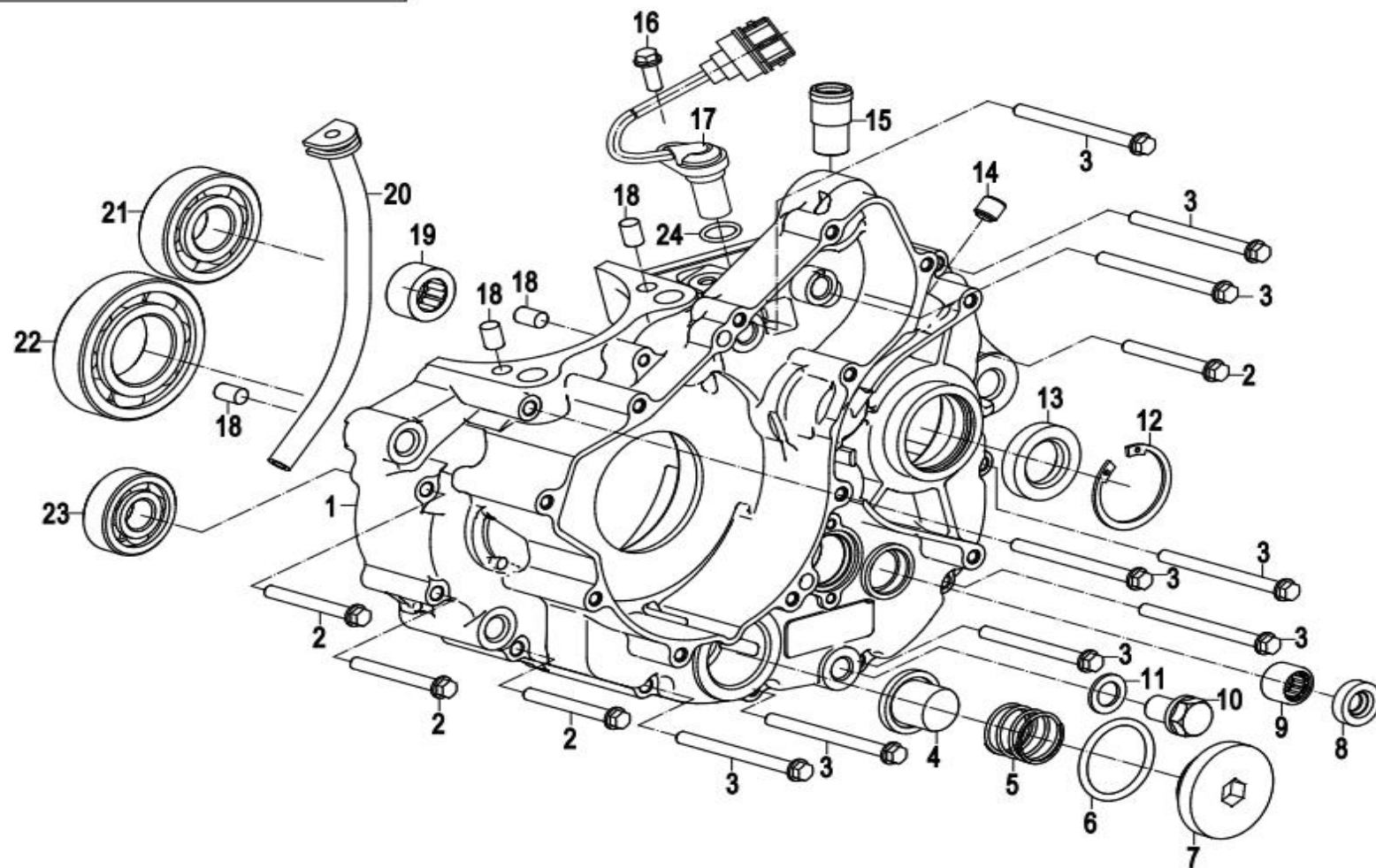
| NO. | CODE | EN DESCRIPTION | QTY | REMARKS |
|--------|-------------------|------------------------|-----|---------|
| F41-01 | 30114-060025470 | SCREW ASSY M6x25 | 4 | |
| F41-02 | ODM0-110200 | CLAMP ASSY | 1 | |
| F41-03 | ODM0-110100 | AIR FILTER ELEMENT | 1 | |
| F41-04 | ODN0-110000-00001 | AIR FILTER ASSY | 1 | |
| F41-05 | 30601-110010 | CLAMP A10 | 1 | |
| F41-06 | ODM0-110010-10000 | OIL STORAGE HOSE | 1 | |
| F41-07 | 30601-210530 | CLAMP B10.5 | 1 | |
| F41-08 | ODM0-110012 | PLUG, OIL STORAGE HOSE | 1 | |
| F41-09 | 30601-116520 | CLAMP A16.5 | 1 | |
| F41-10 | ODM0-110009 | BREATHER HOSE | 1 | |
| F41-11 | 30601-120030 | CLAMP A20 | 1 | |

右曲轴箱分总成/RIGHT CRANKCASE



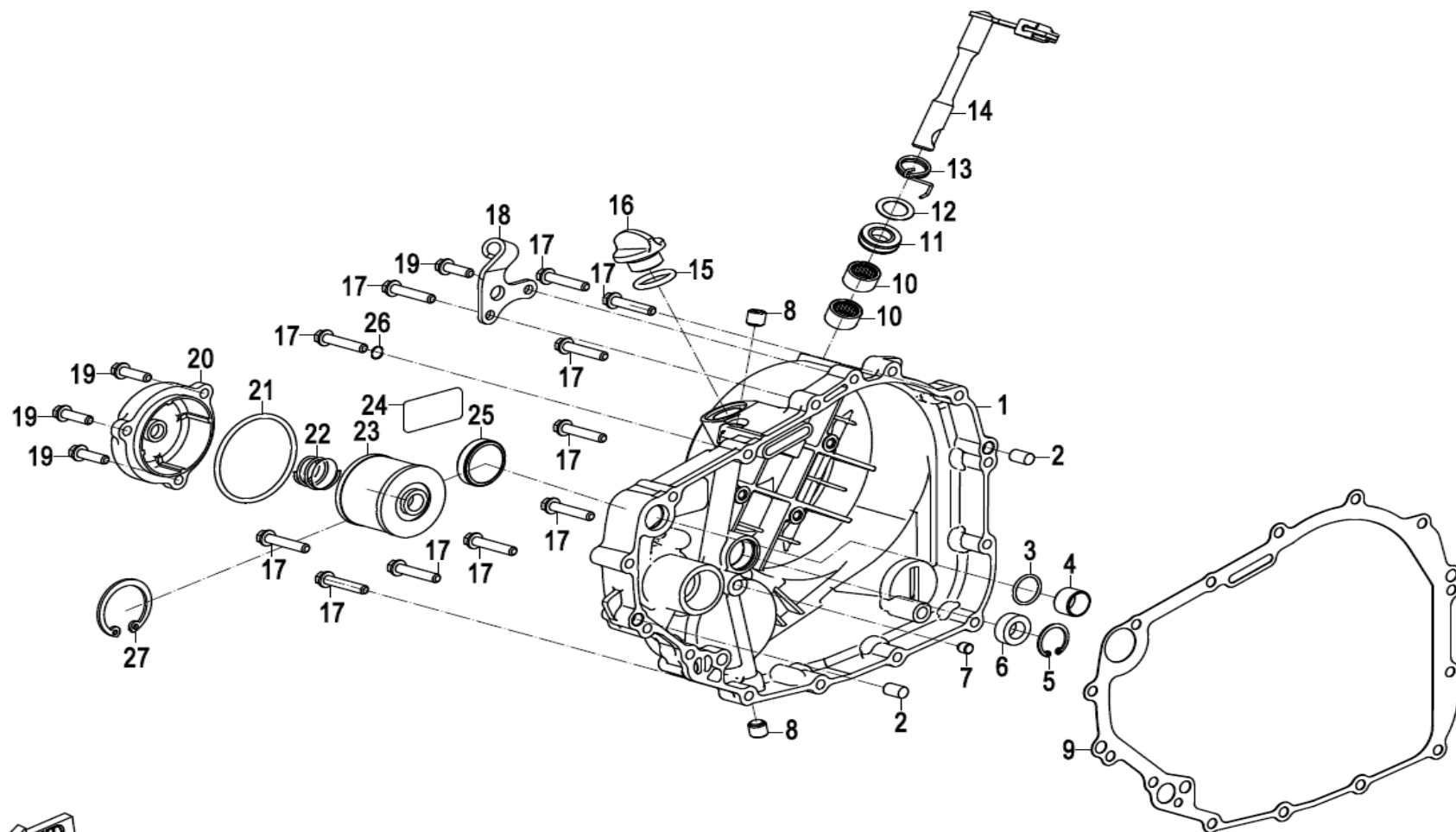
| NO. | CODE | EN DESCRIPTION | QTY | REMARKS |
|----------|-------------------|---------------------------|-----|---------|
| E01-1-01 | ODM0-012010-2BP00 | RH CRANKCASE ASSY | 1 | |
| E01-1-02 | 30499-01507 | BEARING | 1 | |
| E01-1-03 | 30499-02506 | BEARING | 1 | |
| E01-1-04 | 30499-03001 | BEARING | 1 | |
| E01-1-05 | 0010-090005-0010 | BOLT M6x16 | 2 | |
| E01-1-06 | 30305-060112 | WASHER | 2 | |
| E01-1-07 | 30499-02005 | BEARING | 1 | |
| E01-1-08 | 30499-01701 | BEARING | 1 | |
| E01-1-09 | 01A0-012010-00001 | SCREW | 4 | |
| E01-1-10 | ODM0-012001 | VENTILATED COVER PLATE | 1 | |
| E01-1-11 | 30105-050012890 | SCREW M5x12 | 2 | |
| E01-1-12 | 0A70-013004 | PLUG | 1 | |
| E01-1-13 | 30800-01405 | CIRCLIP FOR HOLE 14 | 1 | |
| E01-1-14 | 0800-073004 | SPRING SEAT, RELIEF VALVE | 1 | |
| E01-1-15 | 01A0-012007 | SPRING, RELIEF VALVE | 1 | |
| E01-1-16 | ODM0-012003 | CORE, RELIEF VALVE | 1 | |
| E01-1-17 | ODM0-012002 | RESTRICTION PLUG | 1 | |
| E01-1-18 | 0020-011018-00001 | BOLT | 2 | |

左曲轴箱分总成 LEFT CRANKCASE



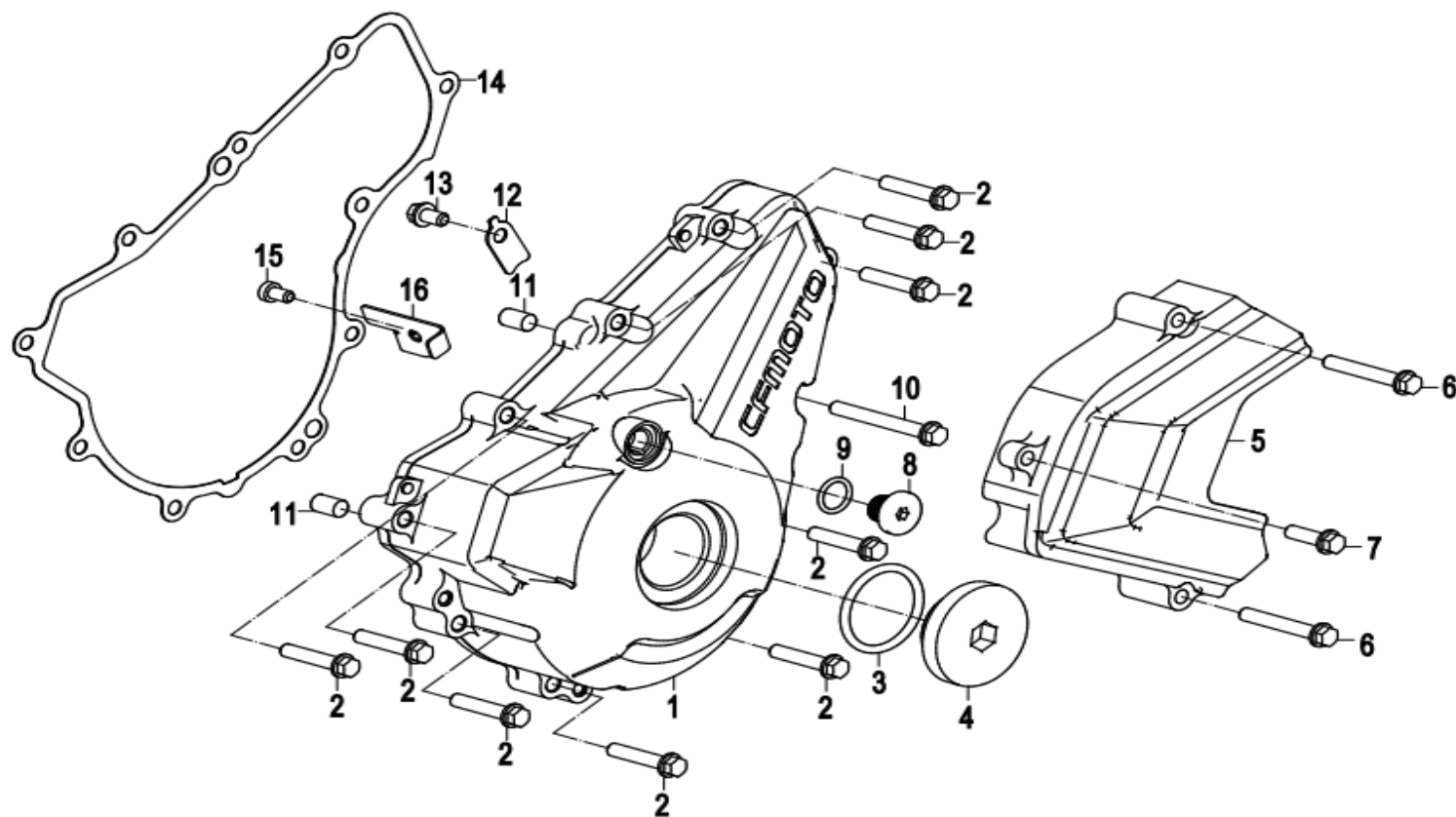
| NO. | CODE | EN DESCRIPTION | QTY | REMARKS |
|------------|-------------------|------------------------------|-----|---------|
| E01-2-B-01 | ODM0-011010-0BP03 | LH CRANKCASE | 1 | |
| E01-2-B-02 | 0010-013010-0010 | BOLT M6x50 | 4 | |
| E01-2-B-03 | 0020-011018-00001 | BOLT | 9 | |
| E01-2-B-04 | ODM0-011030 | OIL STRAINER | 1 | |
| E01-2-B-05 | 01A0-012009 | SCREEN SPRING | 1 | |
| E01-2-B-06 | 01A0-012003 | O-SEAL RING 35x3.5 | 1 | |
| E01-2-B-07 | 01A0-012002-0HB00 | STRAINER COVER | 1 | |
| E01-2-B-08 | 0700-065220 | OIL SEAL 13x22x5.5 | 1 | |
| E01-2-B-09 | 30403-01300 | NEEDLE BEARING HK1312 | 1 | |
| E01-2-B-10 | 0180-011500 | DRAIN BOLT, MAGNETIC M12X1.5 | 1 | |
| E01-2-B-11 | 0010-021014 | WASHER 12 | 1 | |
| E01-2-B-12 | 30800-04005 | CIRCLIP FOR HOLE | 1 | |
| E01-2-B-13 | ODM0-011007 | OIL SEAL 22x38x7 | 1 | |
| E01-2-B-14 | 01A0-012010-00001 | SCREW | 1 | |
| E01-2-B-15 | 0700-011103 | PIPE BREATHER | 1 | |
| E01-2-B-16 | 0010-090005-0010 | BOLT M6x16 | 1 | |
| E01-2-B-17 | ODM0-011020 | SPEED SENSOR | 1 | |
| E01-2-B-18 | 30410-00800 | ROLLER | 4 | |
| E01-2-B-19 | ODM0-011050 | BEARING 17x27x13 | 1 | |
| E01-2-B-20 | ODM0-011005 | OIL RETURN PIPE,ENGINE | 1 | |
| E01-2-B-21 | 30499-02201 | BEARING | 1 | |
| E01-2-B-22 | 30499-03501 | BEARING | 1 | |
| E01-2-B-23 | 30499-01507 | BEARING | 1 | |
| E01-2-B-24 | ODM0-011006 | O-SEAL RING 13x2 | 1 | |

右侧盖分总成/RIGHT SIDE COVER ASSY



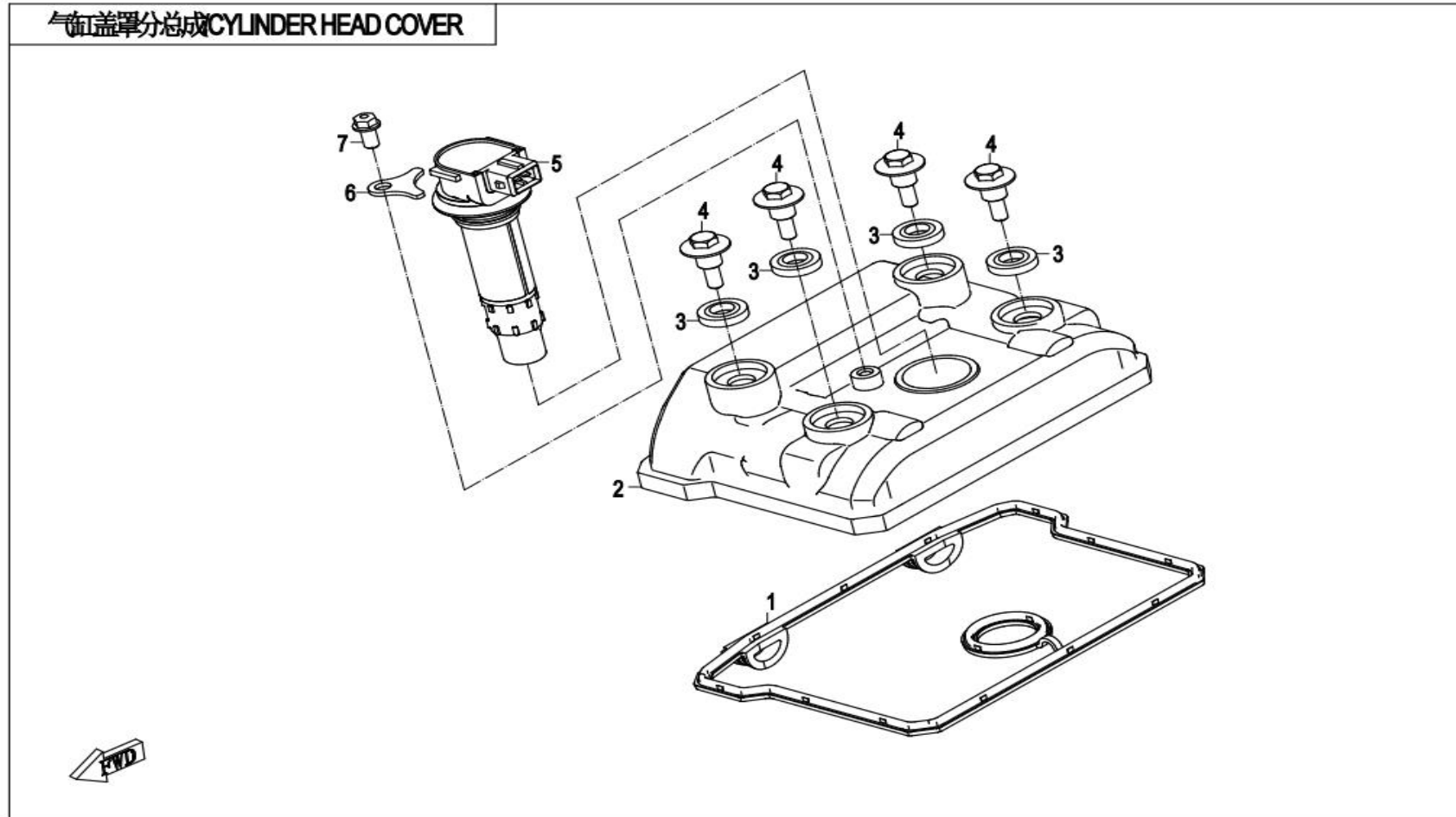
| NO. | CODE | EN DESCRIPTION | QTY | REMARKS |
|------------|------------------------|--------------------------------|-----|---------|
| E01-3-B-01 | ODMV-013010-1900-0HB00 | RH SIDE COVER | 1 | |
| E01-3-B-02 | 30410-00800 | ROLLER | 2 | |
| E01-3-B-03 | 30502-018000F | O-RING | 1 | |
| E01-3-B-04 | ODM0-013002 | WATER PIPE | 1 | |
| E01-3-B-05 | 30800-02205 | CIRCLIP FOR HOLE | 1 | |
| E01-3-B-06 | ODM0-013007 | OIL SEAL,CRANKCASE | 1 | |
| E01-3-B-07 | 0A70-013004 | PLUG | 1 | |
| E01-3-B-08 | 01A0-012010-00001 | SCREW | 2 | |
| E01-3-B-09 | ODM0-013001-00001 | GASKET, RH SIDE COVER | 1 | |
| E01-3-B-10 | 30403-01200 | NEEDLE BEARING HK1210 | 2 | |
| E01-3-B-11 | 0010-080009 | OIL SEAL 12x20x5 | 1 | |
| E01-3-B-12 | 0700-013007 | WASHER 12.5x18.5x0.6 | 1 | |
| E01-3-B-13 | 0700-013006-10000 | RETURN SPRING, CLUTCH LEVER | 1 | |
| E01-3-B-14 | ODM0-013300-30000 | CLUTCH CONTROL SHAFT ASSY | 1 | |
| E01-3-B-15 | 0110-013030 | O-SEAL RING 18x3.55 | 1 | |
| E01-3-B-16 | 0700-013008 | PLUG, OIL FILLING | 1 | |
| E01-3-B-17 | 0010-060012-0010 | BOLT M6x30 | 11 | |
| E01-3-B-18 | ODM0-013011-20000 | BRACKET, CLUTCH CABLE | 1 | |
| E01-3-B-19 | 0010-023010-0010 | BOLT M6x20 | 4 | |
| E01-3-B-20 | ODM0-013003-0HB01 | STRAINER COVER | 1 | |
| E01-3-B-21 | 30502-057000F | O-RING 57x3 | 1 | |
| E01-3-B-22 | ODM0-013009 | SPRING, FILTER ELEMENT | 1 | |
| E01-3-B-23 | ODM0-013200 | OIL FILTER ASSY, ENGINE | 1 | |
| E01-3-B-24 | ODM0-013008-10000 | INSTRUCTION LABEL, OIL FILLING | 1 | |
| E01-3-B-25 | 0700-013100-00001 | VIEWER, OIL LEVEL | 1 | |
| E01-3-B-26 | 0700-012201 | O-SEAL RING 5x2 | 1 | |
| E01-3-B-27 | OHU0-013009 | RETAINER | 1 | |

左侧盖分总成 LEFT SIDE COVER



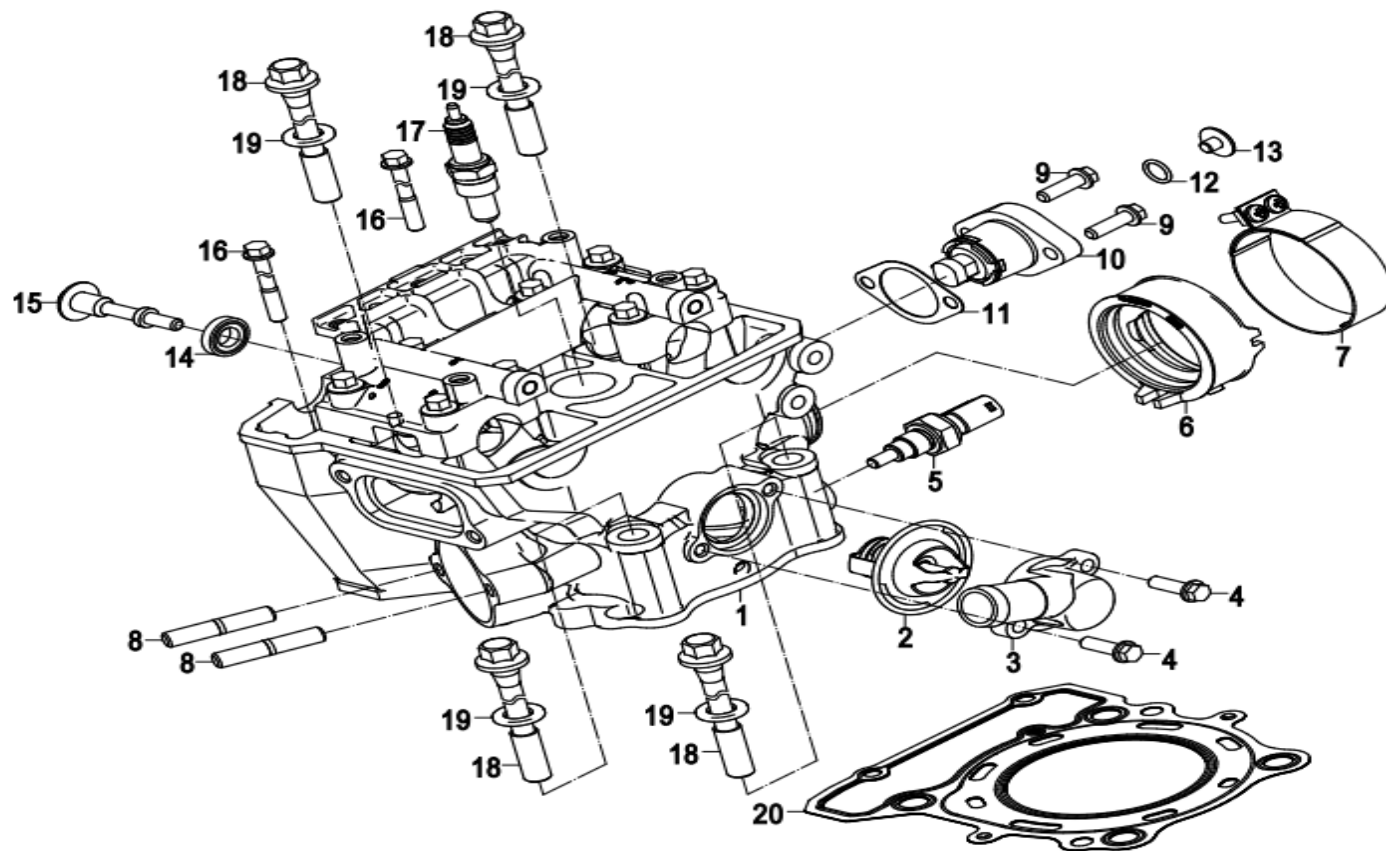
| NO. | CODE | EN DESCRIPTION | QTY | REMARKS |
|----------|-------------------|---------------------------------|-----|---------|
| E01-4-01 | ODMB-014002-0HB00 | LH SIDE COVER | 1 | |
| E01-4-02 | 0010-060012-0010 | BOLT M6x30 | 9 | |
| E01-4-03 | 01A0-012003 | O-SEAL RING 35x3.5 | 1 | |
| E01-4-04 | 01A0-012002-0HA00 | STRAINER COVER | 1 | |
| E01-4-05 | ODM0-014100 | REAR COVER ASSY, LH | 1 | |
| E01-4-06 | 0010-013009-0010 | BOLT M6x40 | 2 | |
| E01-4-07 | 0010-023010-0010 | BOLT M6x20 | 1 | |
| E01-4-08 | ODM0-014003 | VIEWING HOLE, TIMING INSPECTION | 1 | |
| E01-4-09 | 01A0-013005 | O-SEAL RING | 1 | |
| E01-4-10 | 0010-013010-0010 | BOLT M6x50 | 1 | |
| E01-4-11 | 30410-00800 | ROLLER | 2 | |
| E01-4-12 | ODM0-014004 | FIXING PAD, HARNESS | 1 | |
| E01-4-13 | 0010-080010-0010 | BOLT M6x10 | 1 | |
| E01-4-14 | ODM0-014001-00001 | GASKET, LH SIDE COVER | 1 | |
| E01-4-15 | 30102-050012810 | SCREW M5x12 | 1 | |
| E01-4-16 | 0A80-014005 | WIRE CLAMP | 1 | |

E02-1 CYLINDER HEAD COVER

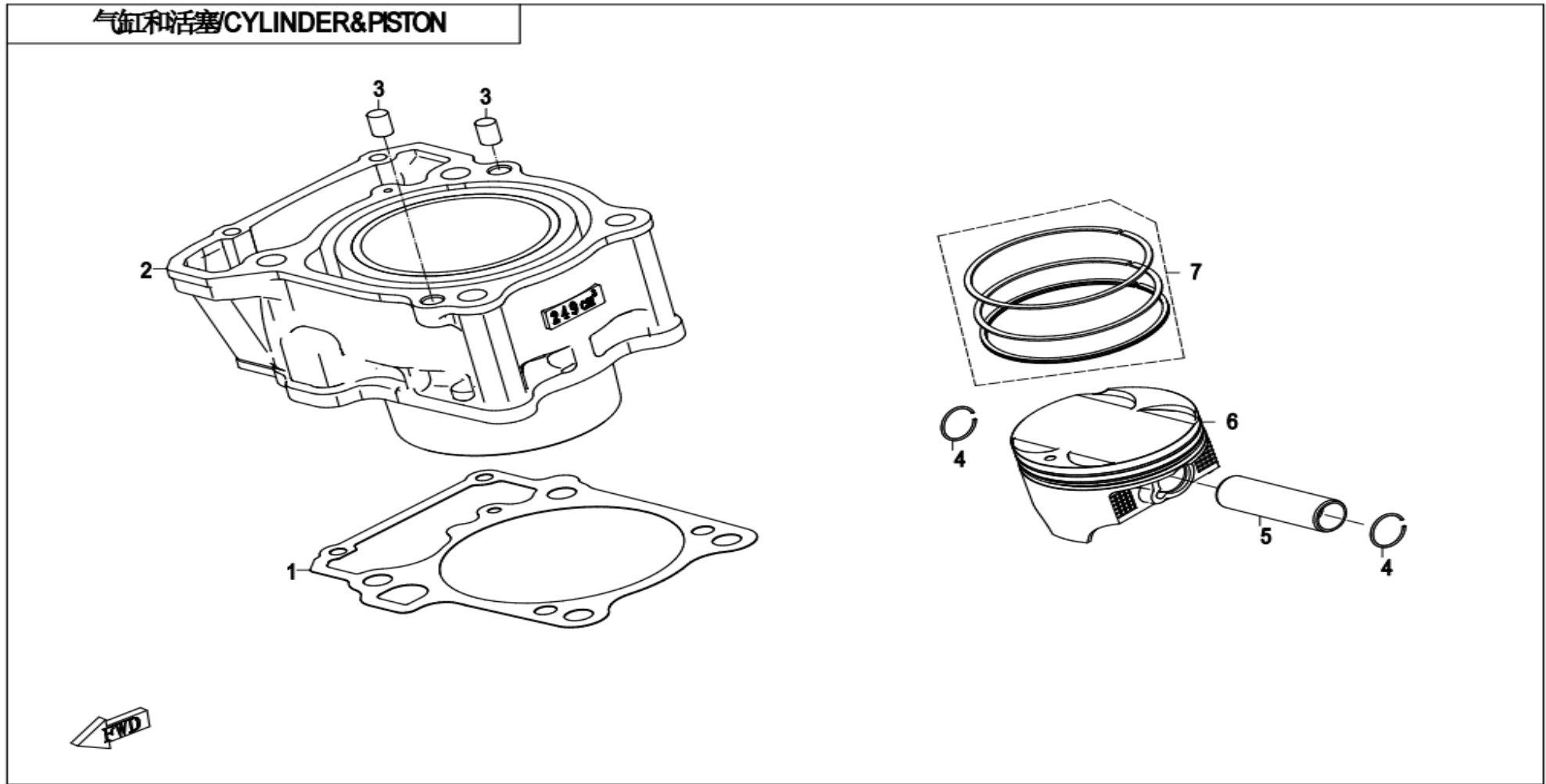


| NO. | CODE | EN DESCRIPTION | QTY | REMARKS |
|----------|-------------------|-------------------------------------|-----|---------|
| E02-1-01 | ODM0-021100 | SEAL RING ASSY, CYLINDER HEAD COVER | 1 | |
| E02-1-02 | ODM0-021001-0HB00 | CYLINDER HEAD COVER | 1 | |
| E02-1-03 | 0700-021200 | SEAL RING, CYLINDER HEAD COVER BOLT | 4 | |
| E02-1-04 | 0700-021003-00001 | BOLT, CYLINDER HEAD COVER | 4 | |
| E02-1-05 | ODM0-178000 | IGNITION COIL | 1 | |
| E02-1-06 | ODM0-021002 | PRESS PLATE | 1 | |
| E02-1-07 | 0010-021019-0010 | BOLT M6x12 | 1 | |

气缸盖总成 CYLINDER HEAD

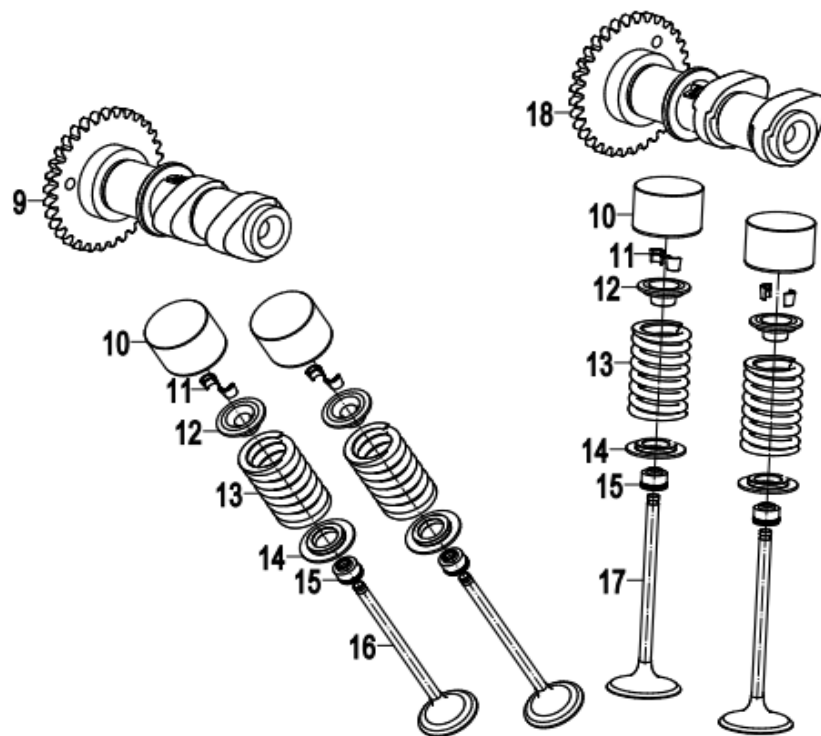
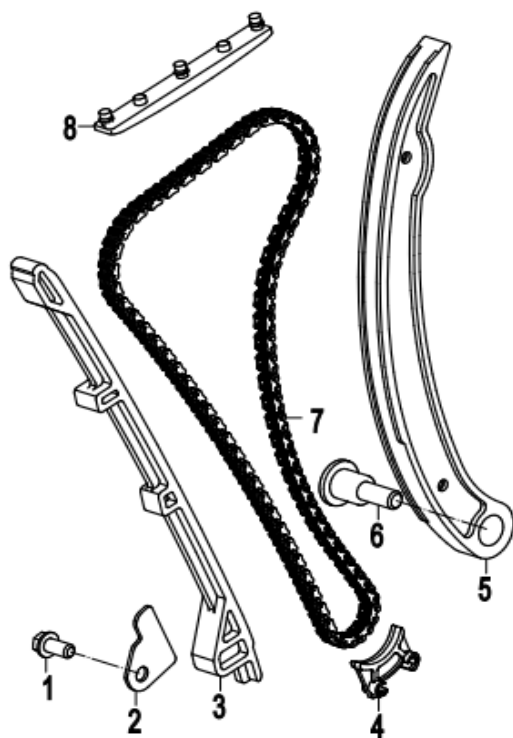


| NO. | CODE | EN DESCRIPTION | QTY | REMARKS |
|----------|-------------------|-------------------------------------|-----|---------|
| E02-2-01 | ODM0-022200-1BP00 | CYLINDER BODY ASSY | 1 | |
| E02-2-02 | ODM0-022400 | THERMOSTAT ASSY | 1 | |
| E02-2-03 | ODM0-022005-0BP00 | THERMOSTAT CAP | 1 | |
| E02-2-04 | 0010-023010-0010 | BOLT M6x20 | 2 | |
| E02-2-05 | 018B-022810 | WATER TEMPERATURE SENSOR | 1 | |
| E02-2-06 | ODM0-022006 | CONNECTING PIPE, THROTTLE BODY | 1 | |
| E02-2-07 | ODM0-022300 | CLAMP, CONNECTING PIPE | 1 | |
| E02-2-08 | 0180-022003-00001 | STUD M8x42 | 4 | |
| E02-2-09 | 0010-080013-0010 | BOLT M6x22 | 2 | |
| E02-2-10 | ODM0-024500-10001 | TENSIONER ASSY | 1 | |
| E02-2-11 | ODM0-024011 | SEALING GASKET, TENSIONER | 1 | |
| E02-2-12 | 0060-022001 | O-SEAL RING 10x1.6 | 1 | |
| E02-2-13 | OJYA-023001-00001 | HEX FLANGE BOLT M6x6 | 1 | |
| E02-2-14 | 0700-021200 | SEAL RING, CYLINDER HEAD COVER BOLT | 1 | |
| E02-2-15 | ODM0-022008-00001 | DAMPING BOLT, CYLINDER HEAD | 1 | |
| E02-2-16 | 0010-011016-00001 | BOLT | 2 | |
| E02-2-17 | 0700-170200 | SPARK PLUG | 1 | |
| E02-2-18 | 0700-012013-00002 | BOLT | 4 | |
| E02-2-19 | 0700-022016 | WASHER 10.5x19x2.3 | 4 | |
| E02-2-20 | ODM0-022100 | GASKET KIT, CYLINDER HEAD | 1 | |



| NO. | CODE | EN DESCRIPTION | QTY | REMARKS |
|----------|-------------------|-----------------------|-----|---------|
| E02-3-01 | ODM0-023001-10000 | SEAL GASKET, CYLINDER | 1 | |
| E02-3-02 | ODM0-023100-0BP11 | CYLINDER BODY ASSY | 1 | |
| E02-3-03 | 30410-00800 | ROLLER | 2 | |
| E02-3-04 | 0110-040006-0050 | CIRCLIP, PISTON PIN | 2 | |
| E02-3-05 | ODM0-040008 | PISTON PIN | 1 | |
| E02-3-06 | ODM0-040007-00011 | PISTON | 1 | |
| E02-3-07 | ODM0-040100 | PISTON RING ASSY | 1 | |

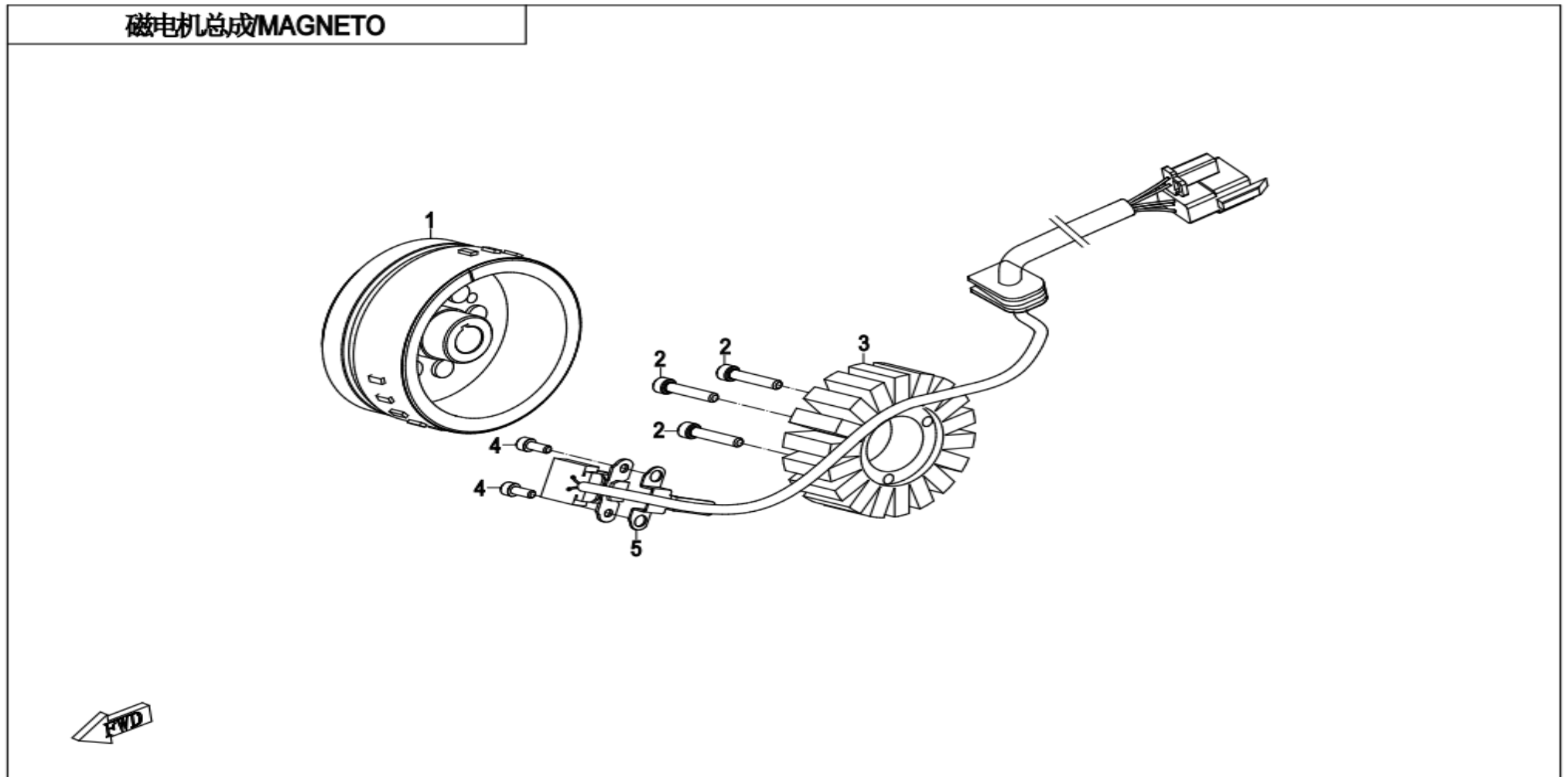
配气传动分总成CAMSHAFT



| NO. | CODE | EN DESCRIPTION | QTY | REMARKS |
|----------|------------------|----------------------|-----|---------|
| E02-4-01 | 0010-021019-0010 | BOLT M6x12 | 1 | |
| E02-4-02 | ODM0-024002 | STOPPER, CHAIN GUIDE | 1 | |

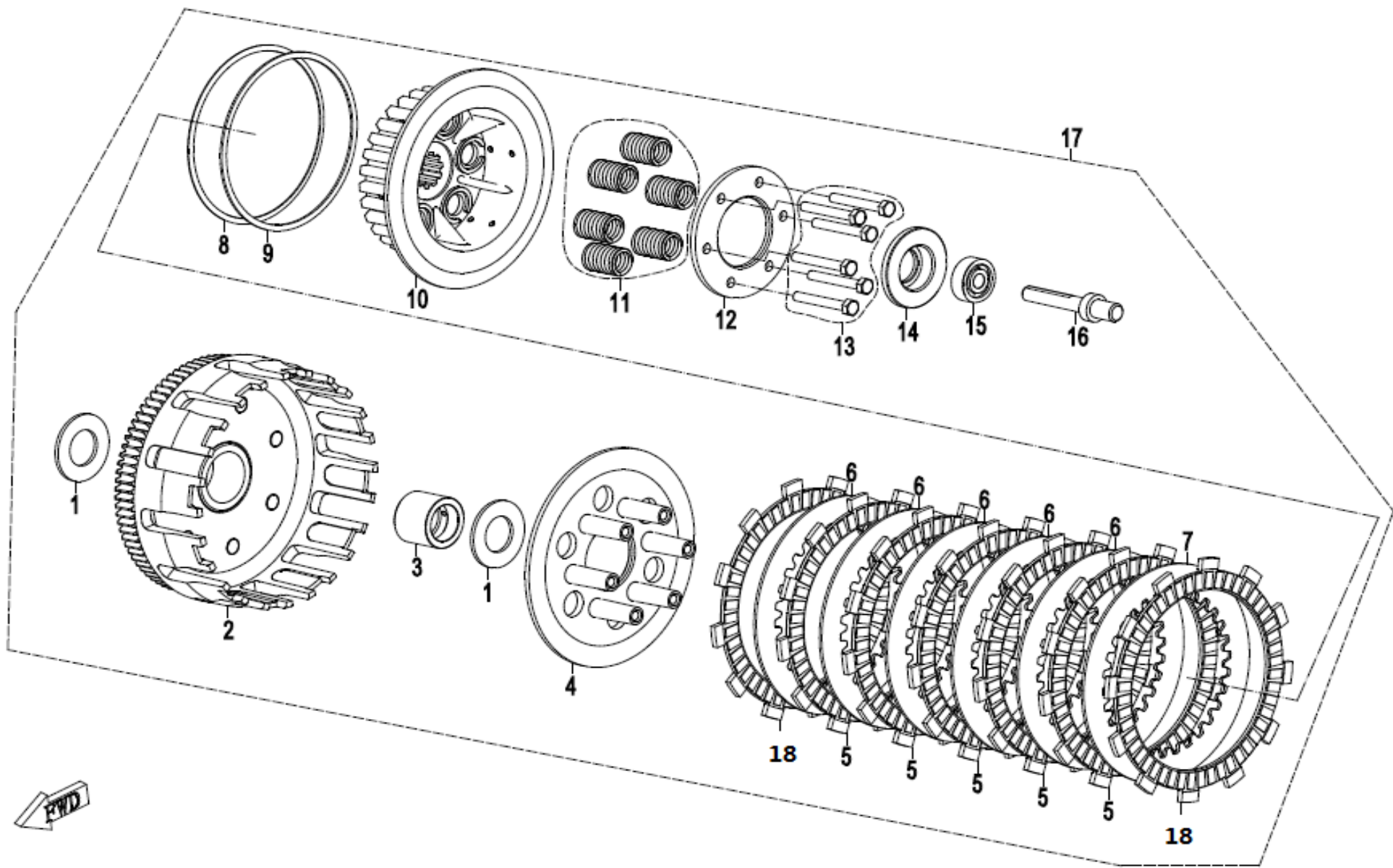
| NO. | CODE | EN DESCRIPTION | QTY | REMARKS |
|----------|-------------------|-----------------------|-----|---------|
| E02-4-03 | ODM0-024008 | CHAIN GUIDE | 1 | |
| E02-4-04 | ODM0-024009 | CHAIN GUARD | 1 | |
| E02-4-05 | ODM0-024400 | TENSION PLATE ASSY | 1 | |
| E02-4-06 | ODM0-024001 | PIN SHAFT | 1 | |
| E02-4-07 | ODM0-024300 | TIMING CHAIN | 1 | |
| E02-4-08 | ODM0-024005 | CHAIN GUIDE BLOCK | 1 | |
| E02-4-09 | ODM0-024200-10000 | CAMSHAFT, AIR EXHAUST | 1 | |
| E02-4-10 | 0700-022005-0090 | TAPPET | 4 | |
| E02-4-10 | 0700-022005-0100 | TAPPET | 4 | |
| E02-4-10 | 0700-022005-0110 | TAPPET | 4 | |
| E02-4-10 | 0700-022005-0120 | TAPPET | 4 | |
| E02-4-10 | 0700-022005-0130 | TAPPET | 4 | |
| E02-4-10 | 0700-022005-0140 | TAPPET | 4 | |
| E02-4-10 | 0700-022005-0150 | TAPPET | 4 | |
| E02-4-10 | 0700-022005-0160 | TAPPET | 4 | |
| E02-4-10 | 0700-022005-0170 | TAPPET | 4 | |
| E02-4-10 | 0700-022005-0180 | TAPPET | 4 | |
| E02-4-10 | 0700-022005-0190 | TAPPET | 4 | |
| E02-4-10 | 0700-022005-0200 | TAPPET | 4 | |
| E02-4-10 | 0700-022005-0210 | TAPPET | 4 | |
| E02-4-10 | 0700-022005-0220 | TAPPET | 4 | |
| E02-4-10 | 0700-022005-0230 | TAPPET | 4 | |
| E02-4-10 | 0700-022005-0240 | TAPPET | 4 | |
| E02-4-10 | 0700-022005-0250 | TAPPET | 4 | |
| E02-4-10 | 0700-022005-0260 | TAPPET | 4 | |
| E02-4-10 | 0700-022005-0270 | TAPPET | 4 | |
| E02-4-10 | 0700-022005-0280 | TAPPET | 4 | |
| E02-4-10 | 0700-022005-0290 | TAPPET | 4 | |
| E02-4-10 | 0700-022005-0300 | TAPPET | 4 | |
| E02-4-10 | 0700-022005-0310 | TAPPET | 4 | |
| E02-4-10 | 0700-022005-0320 | TAPPET | 4 | |

| NO. | CODE | EN DESCRIPTION | QTY | REMARKS |
|----------|-------------------|--------------------------|-----|---------|
| E02-4-10 | 0700-022005-0330 | TAPPET | 4 | |
| E02-4-10 | 0700-022005-0340 | TAPPET | 4 | |
| E02-4-10 | 0700-022005-0350 | TAPPET | 4 | |
| E02-4-10 | 0700-022005-0360 | TAPPET | 4 | |
| E02-4-10 | 0700-022005-0370 | TAPPET | 4 | |
| E02-4-10 | 0700-022005-0380 | TAPPET | 4 | |
| E02-4-10 | 0700-022005-0390 | TAPPET | 4 | |
| E02-4-10 | 0700-022005-0400 | TAPPET | 4 | |
| E02-4-10 | 0700-022005-0410 | TAPPET | 4 | |
| E02-4-10 | 0700-022005-0420 | TAPPET | 4 | |
| E02-4-10 | 0700-022005-0430 | TAPPET | 4 | |
| E02-4-10 | 0700-022005-0440 | TAPPET | 4 | |
| E02-4-10 | 0700-022005-0450 | TAPPET | 4 | |
| E02-4-10 | 0700-022005-0460 | TAPPET | 4 | |
| E02-4-10 | 0700-022005-0470 | TAPPET | 4 | |
| E02-4-10 | 0700-022005-0480 | TAPPET | 4 | |
| E02-4-10 | 0700-022005-0490 | TAPPET | 4 | |
| E02-4-10 | 0700-022005-0500 | TAPPET | 4 | |
| E02-4-10 | 0700-022005-15200 | TAPPET | 4 | |
| E02-4-10 | 0700-022005-0520 | TAPPET | 4 | |
| E02-4-10 | 0700-022005-0530 | TAPPET | 4 | |
| E02-4-10 | 0700-022005-15500 | TAPPET | 4 | |
| E02-4-11 | 0700-022004 | LOCK CLIP, VALVE | 8 | |
| E02-4-12 | 0700-022003 | UPPER SEAT, VALVE SPRING | 4 | |
| E02-4-13 | 0700-022007-10000 | SPRING, VALVE | 4 | |
| E02-4-14 | 0700-022006 | LOWER SEAT, VALVE SPRING | 4 | |
| E02-4-15 | 0700-022400-1000 | SEAL RING, VALVE STEM | 4 | |
| E02-4-16 | ODM0-022002-00001 | AIR EXHAUST VALVE | 2 | |
| E02-4-17 | ODM0-022001-00001 | AIR INTAKE VALVE | 2 | |
| E02-4-18 | ODM0-024100-10000 | CAMSHAFT, AIR INTAKE | 1 | |



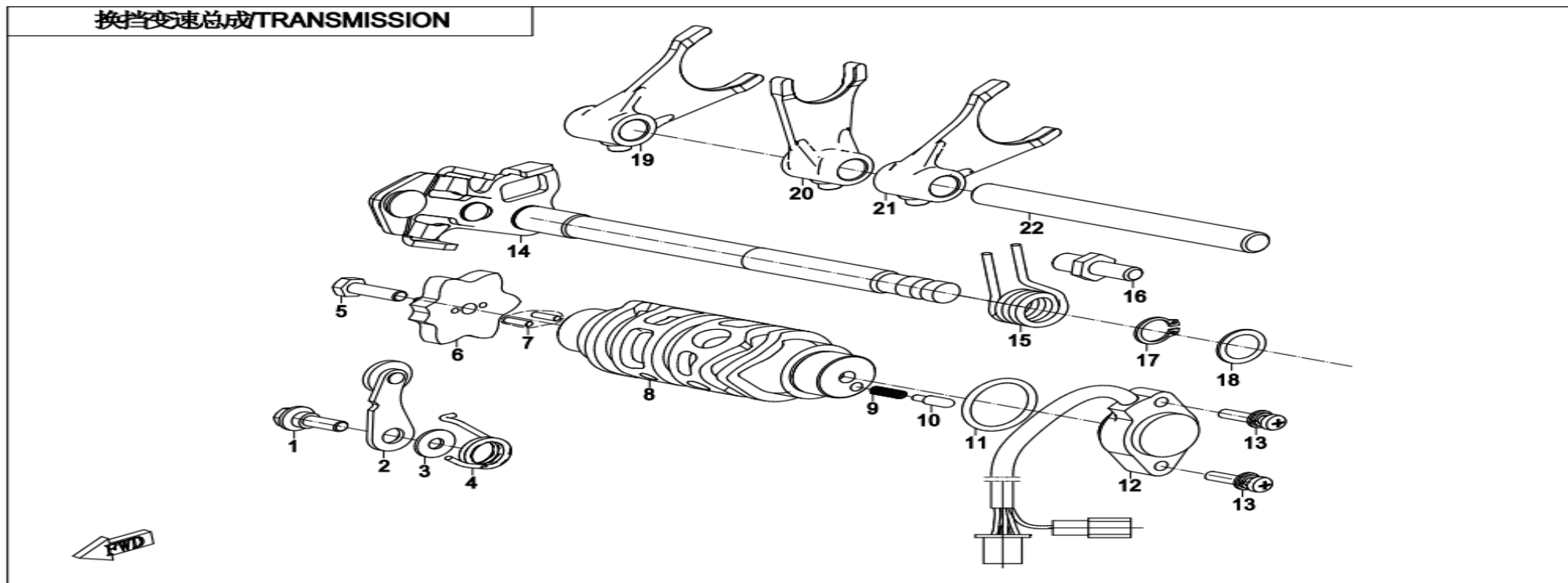
| NO. | CODE | EN DESCRIPTION | QTY | REMARKS |
|--------|-------------------|----------------------------|-----|---------|
| E03-01 | ODM0-031000-10001 | MAGNETO ROTOR ASSY | 1 | |
| E03-02 | 0060-030003-00001 | INNER HEX BOLT | 3 | |
| E03-03 | ODMV-032000-0001 | MAGNETO STATOR ASSY | 1 | |
| E03-04 | 30102-050012810 | SCREW M5x12 | 2 | |
| E03-05 | ODM0-030001 | CABLE FIX BRACKET, TRIGGER | 1 | |

E12 离合器总成/CLUTCH ASSY



| NO. | CODE | EN DESCRIPTION | QTY | REMARKS |
|----------|-------------------|--------------------------|-----|---------|
| E05-B-01 | ODM0-050004 | WASHER 20x37x2 | 2 | |
| E05-B-02 | ODM0-051000 | PRIMARY DRIVEN GEAR ASSY | 1 | |
| E05-B-03 | ODM0-050003 | COLLAR | 1 | |
| E05-B-04 | ODM0-052006 | PRESSURE PLATE | 1 | |
| E05-B-05 | ODM0-052200 | FRICITION DISC ASSY | 5 | |
| E05-B-06 | ODM0-052005 | DRIVEN DISC 1 | 5 | |
| E05-B-07 | ODM0-052007 | DRIVEN DISC 2 | 1 | |
| E05-B-08 | ODM0-052004-10000 | BELLE SPRING | 1 | |
| E05-B-09 | ODM0-052003-10000 | SPRING SEAT | 1 | |
| E05-B-10 | ODM0-052100 | SLEEVE | 1 | |
| E05-B-11 | ODM0-052002 | PRESS SPRING | 6 | |
| E05-B-12 | ODM0-052001 | LIFT-SLAB | 1 | |
| E05-B-13 | ODM0-052008 | BOLT M5x25 | 6 | |
| E05-B-14 | ODM0-050002 | BEARING SEAT | 1 | |
| E05-B-15 | 30400-00802 | BEARING | 1 | |
| E05-B-16 | ODM0-050001-10000 | DAMPER ROD | 1 | |
| E05-B-17 | ODM0-050000-30001 | CLUTCH ASSY | 1 | |
| E05-B-18 | ODM0-052300-00001 | FRICITION DISC ASSY 1 | 2 | |
| | | | | |

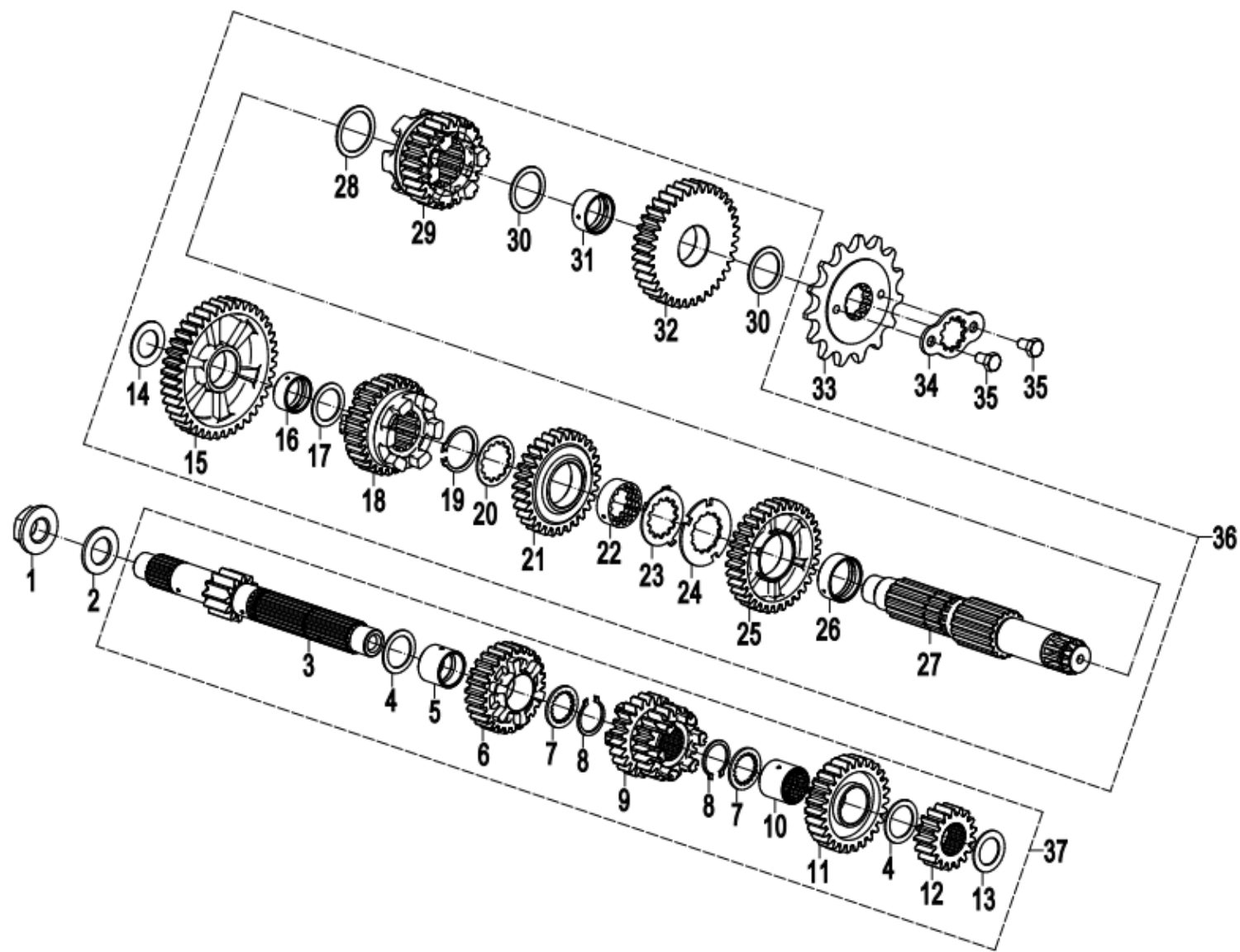
E06-1 TRANSMISSION(1)



| NO. | CODE | EN DESCRIPTION | QTY | REMARKS |
|----------|-------------------|------------------------------|-----|---------|
| E06-1-01 | 0A70-065001-00001 | BOLT, GEARSHIFT CAM | 1 | |
| E06-1-02 | ODM0-065100-00001 | SWING ARM, GEARSHIFT | 1 | |
| E06-1-03 | 0700-064001 | WASHER | 1 | |
| E06-1-04 | ODM0-065001 | SPRING, SWING ARM, GEARSHIFT | 1 | |
| E06-1-05 | 30004-060016130 | BOLT M6x16 | 1 | |
| E06-1-06 | ODM0-064002 | CAM, GEARSHIFT DRUM | 1 | |
| E06-1-07 | 30406-00303 | NEEDLE BEARING | 2 | |
| E06-1-08 | ODM0-064001-00001 | SHIFT DRUM | 1 | |
| E06-1-09 | 0A70-064003 | SPRING | 2 | |
| E06-1-10 | 0A70-064004 | CONTACTOR, GEAR SWITCH | 2 | |
| E06-1-11 | 0A70-060014 | O-RING 26.2x2.4 | 1 | |

| NO. | CODE | EN DESCRIPTION | QTY | REMARKS |
|----------|-------------------|---------------------------|-----|---------|
| E06-1-12 | 0A8V-066000-1001 | GEAR POSITION SENSOR | 1 | |
| E06-1-13 | 30116-050020410 | SCREW ASSY M5x20 | 2 | |
| E06-1-14 | ODM0-063100-00001 | GEARSHIFT ROD ASSY | 1 | |
| E06-1-15 | ODM0-063001 | RETURN SPRING, GEARSHIFT | 1 | |
| E06-1-16 | ODM0-063002-00001 | SHIFT POSITION SPRING PIN | 1 | |
| E06-1-17 | 30801-01405 | CIRCLIPS FOR SHAFT14 | 1 | |
| E06-1-18 | ODM0-063003 | WASHER 14x20x1 | 1 | |
| E06-1-19 | ODM0-060006 | SHIFT FORK, RH | 1 | |
| E06-1-20 | ODM0-060005 | SHIFT FORK, MID | 1 | |
| E06-1-21 | ODM0-060004 | SHIFT FORK, LH | 1 | |
| E06-1-22 | ODM0-060003 | FORK SHAFT | 1 | |

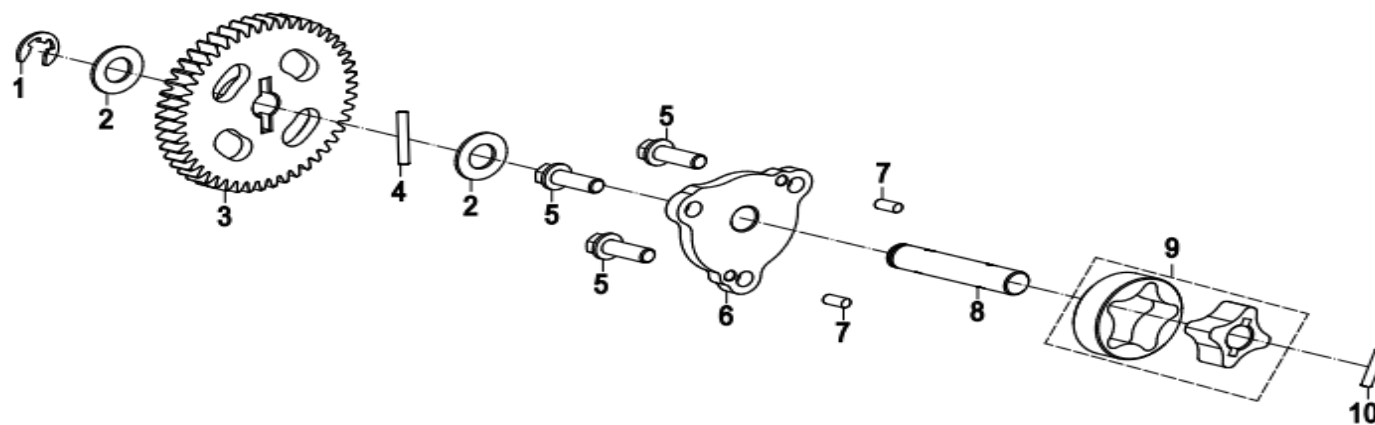
换挡变速总成 TRANSMISSION



| NO. | CODE | EN DESCRIPTION | QTY | REMARKS |
|----------|-------------------|-------------------------|-----|---------|
| E06-2-01 | 0110-040001-00002 | NUT | 1 | |
| E06-2-02 | ODM0-040003 | CIRCLIP16 | 2 | |
| E06-2-03 | ODM0-061001 | DRIVE SHAFT | 1 | |
| E06-2-04 | ODM0-061006 | WASHER 20x27x1 | 2 | |
| E06-2-05 | ODM0-061007 | BUSHING 20x23x17.2 | 1 | |
| E06-2-06 | ODM0-061004 | 5TH GEAR, DRIVE | 1 | |
| E06-2-07 | ODM0-061008 | SPLINE WASHER 20x26x1.6 | 2 | |
| E06-2-08 | ODM0-061012 | CIRCLIPS FOR SHAFT 20 | 2 | |
| E06-2-09 | ODM0-061003 | 3RD(>&<)4TH GEAR, DRIVE | 1 | |
| E06-2-10 | ODM0-061009 | SPLINE SLEEVE 23 | 1 | |
| E06-2-11 | ODM0-061005 | 6TH GEAR, DRIVE | 1 | |
| E06-2-12 | ODM0-061002 | 2ND GEAR, DRIVE | 1 | |
| E06-2-13 | ODM0-061011 | WASHER 17x26x1 | 1 | |
| E06-2-14 | ODM0-062021 | LOCK WASHER 17x28x1 | 1 | |
| E06-2-15 | ODM0-062002 | 1ST GEAR, DRIVEN | 1 | |
| E06-2-16 | ODM0-062019 | BUSHING 20x23x10.5 | 1 | |
| E06-2-17 | ODM0-062018 | WASHER 20 | 1 | |
| E06-2-18 | ODM0-062006 | 5TH GEAR, DRIVEN | 1 | |
| E06-2-19 | ODM0-062017 | CIRCLIPS FOR SHAFT 25 | 1 | |
| E06-2-20 | ODM0-062016 | SPLINE WASHER 25x31x1 | 1 | |
| E06-2-21 | ODM0-062005 | 4TH GEAR, DRIVEN | 1 | |
| E06-2-22 | ODM0-062015 | SPLINE SLEEVE 25x10 | 1 | |
| E06-2-23 | ODM0-062014 | LOCK WASHER 25 | 1 | |
| E06-2-24 | ODM0-062013 | SPLINE WASHER 25x42x1.6 | 1 | |
| E06-2-25 | ODM0-062004 | 3RD GEAR, DRIVEN | 1 | |
| E06-2-26 | ODM0-062012 | BUSHING 25x28x10 | 1 | |
| E06-2-27 | ODM0-062001 | SECONDARYSHAFT | 1 | |
| E06-2-28 | ODM0-062011 | WASHER 25x32x1 | 1 | |
| E06-2-29 | ODM0-062007 | 6TH GEAR, DRIVEN | 1 | |
| E06-2-30 | ODM0-062008 | WASHER 22x29x1 | 2 | |
| E06-2-31 | ODM0-062009 | BUSHING 22x25x11 | 1 | |

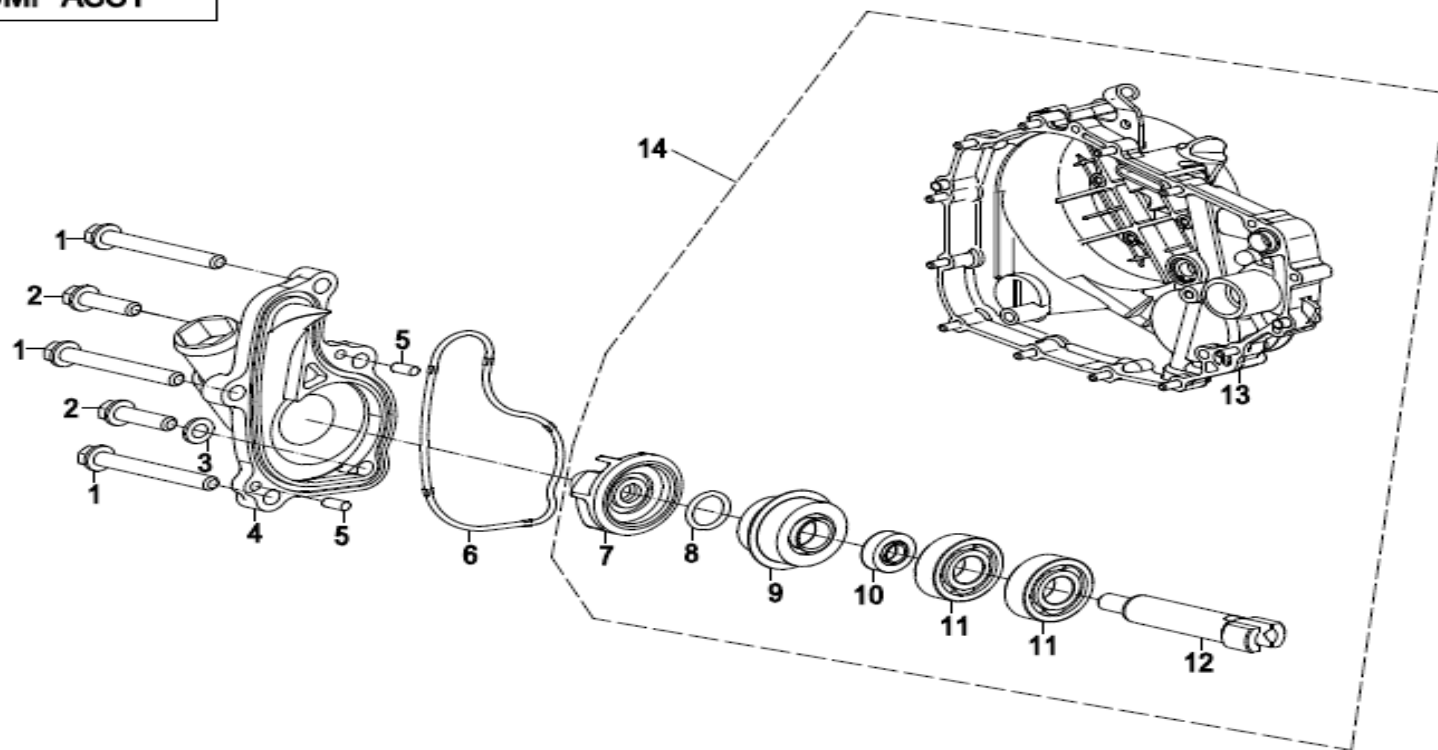
| NO. | CODE | EN DESCRIPTION | QTY | REMARKS |
|----------|-------------------|-------------------|-----|---------|
| E06-2-32 | ODM0-062003 | 2ND GEAR, DRIVEN | 1 | |
| E06-2-33 | ODM0-060001-00001 | DRIVE SPROCKET | 1 | |
| E06-2-34 | ODM0-060002 | GUARD, SPROKET | 1 | |
| E06-2-35 | 30004-060010850 | BOLT M6x10 | 2 | |
| E06-2-36 | ODM0-062000 | COUNTERSHAFT ASSY | 1 | |
| E06-2-37 | ODM0-061000 | MAIN SHAFT ASSY | 1 | |

机油泵总成 OIL PUMP



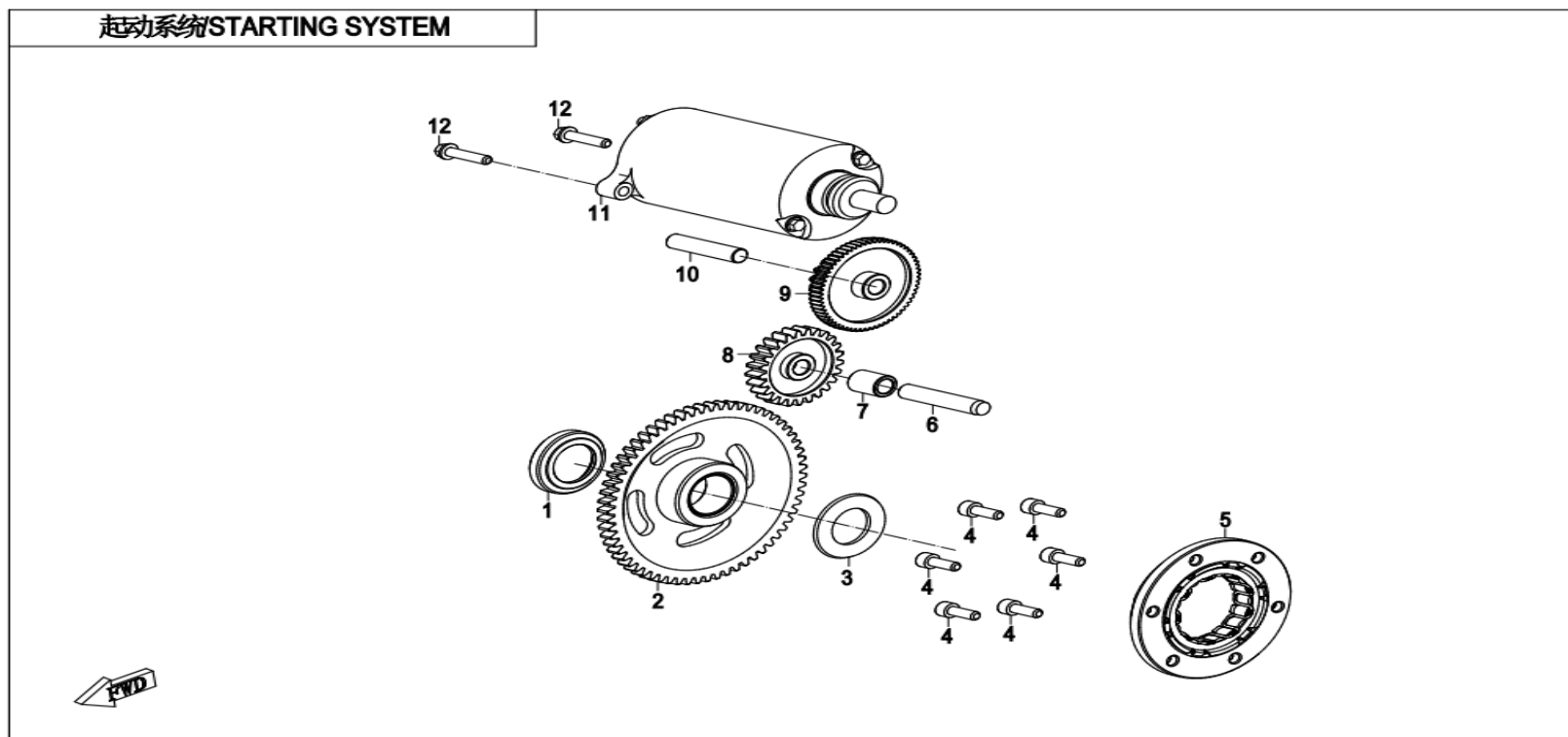
| NO. | CODE | EN DESCRIPTION | QTY | REMARKS |
|--------|------------------|----------------------|-----|---------|
| E07-01 | 30802-00805 | SPLIT WASHER | 1 | |
| E07-02 | 0800-011005 | WASHER 10 | 2 | |
| E07-03 | ODM0-070003 | GEAR, OIL PUMP | 1 | |
| E07-04 | 30406-00300 | ROLLER NEEDLE | 1 | |
| E07-05 | 0010-090005-0010 | BOLT M6x16 | 3 | |
| E07-06 | ODM0-070002 | COVER, OIL PUMP | 1 | |
| E07-07 | 30406-00401 | ROLLER NEEDLE P4x7.8 | 2 | |
| E07-08 | ODM0-070001 | SHAFT,OIL PUMP | 1 | |
| E07-09 | ODM0-070100 | ROTOR ASSY, OIL PUMP | 1 | |
| E07-10 | 30406-00304 | ROLLER NEEDLE | 1 | |

E16 水泵总成 WATER PUMP ASSY



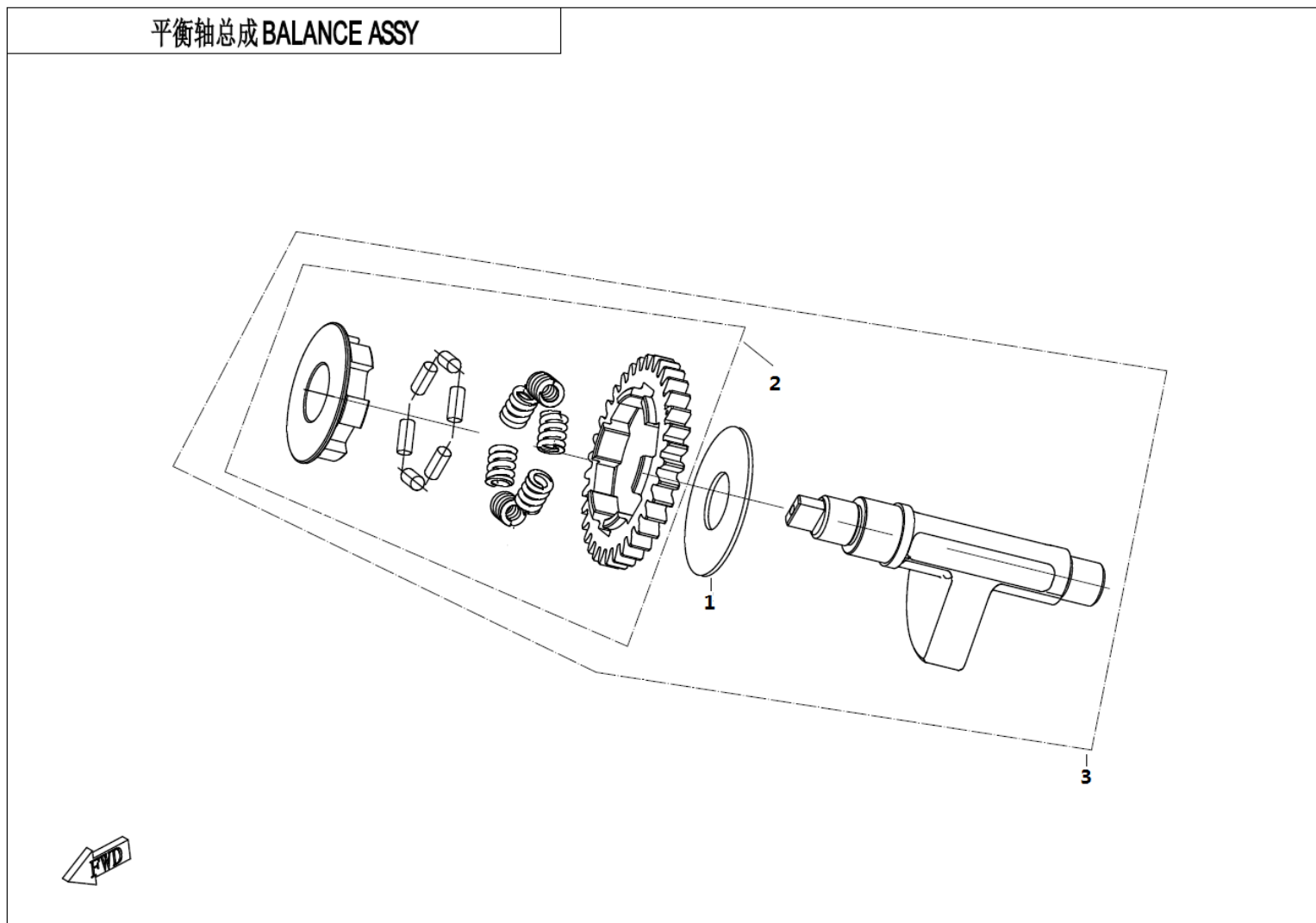
| NO. | CODE | EN DESCRIPTION | QTY | REMARKS |
|--------|-------------------|-----------------------------|-----|---------|
| E08-01 | 0180-013208-0010 | BOLT M6x45 | 3 | |
| E08-02 | 0010-023010-0010 | BOLT M6x20 | 2 | |
| E08-03 | 0010-060009 | WASHER | 1 | |
| E08-04 | ODM0-080100-0HB01 | WATER PUMP COVER ASSY | 1 | |
| E08-05 | 30406-00401 | ROLLER NEEDLE P4x7.8 | 2 | |
| E08-06 | ODM0-080003 | SEAL RING, WATER PUMP COVER | 1 | |
| E08-07 | ODM0-080002 | IMPELLER, WATER PUMP | 1 | |
| E08-08 | 01A0-013005 | O-SEAL RING | 1 | |
| E08-09 | OJWA-081000 | WATER SEAL ASSY | 1 | |
| E08-10 | 0010-080009 | OIL SEAL 12x20x5 | 1 | |
| E08-11 | 30400-01207 | ROLLER BEARING | 2 | |
| E08-12 | ODM0-080001-00001 | SHAFT, WATER PUMP | 1 | |
| E08-13 | ODMB-013005-1HA00 | RH SIDE COVER | 1 | |

E09 STARTING SYSTEM



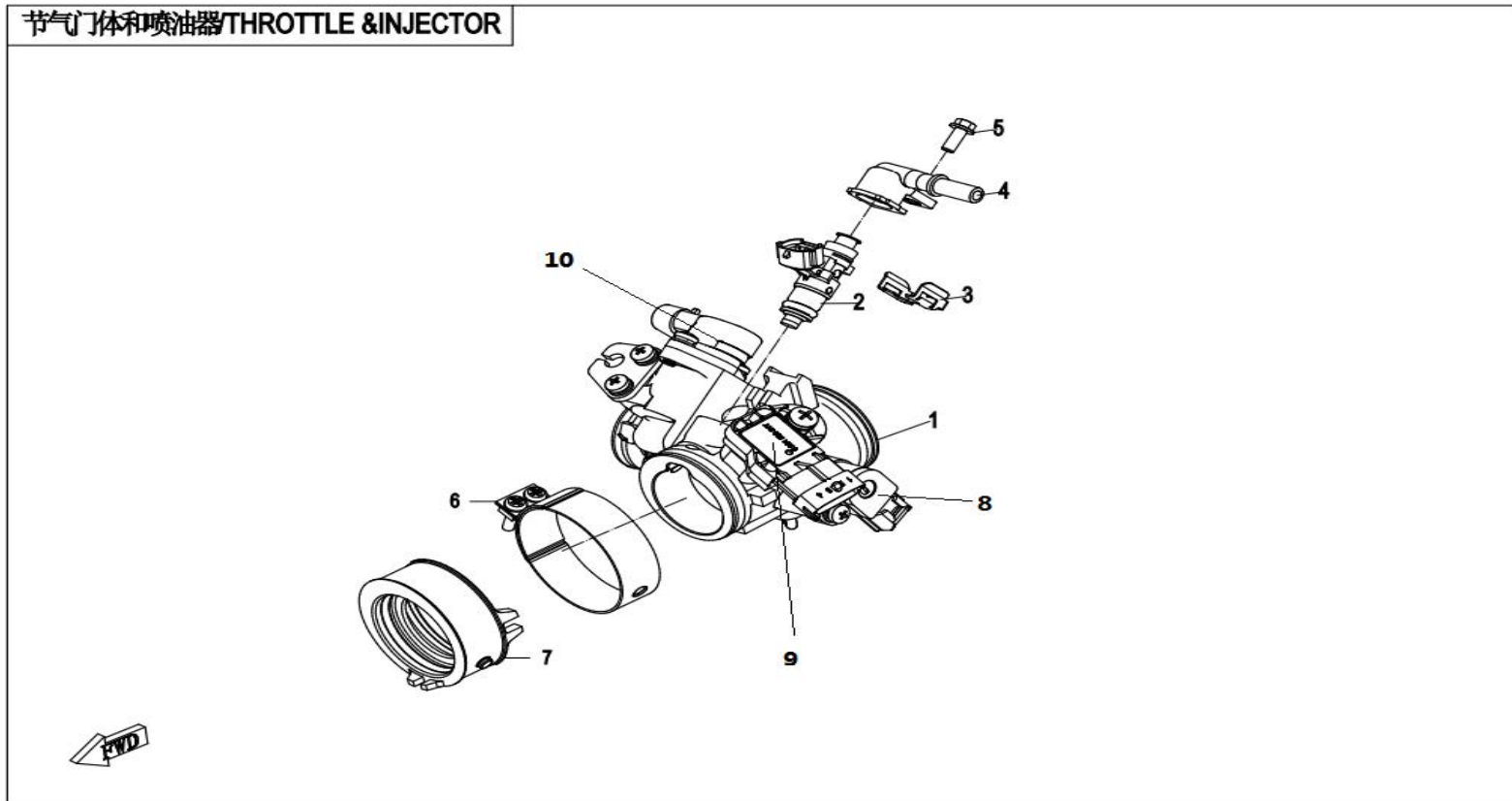
| NO. | CODE | EN DESCRIPTION | QTY | REMARKS |
|--------|-------------------|---------------------------|-----|---------|
| E09-01 | ODM0-090007 | SPACER RING | 1 | |
| E09-02 | ODM0-092000-00001 | GEAR ASSY, STARTING MOTOR | 1 | |
| E09-03 | ODM0-090001 | WASHER 27x44x1 | 1 | |
| E09-04 | 30102-060016810 | SCREW | 6 | |
| E09-05 | ODM0-091000 | OVERRIDING CLUTCH | 1 | |
| E09-06 | 0800-011202 | SHAFT, BREATHER | 1 | |
| E09-07 | ODM0-090004 | BUSHING, MIDDLE GEAR | 1 | |
| E09-08 | ODM0-090002-00001 | STARTING GEAR | 1 | |
| E09-09 | ODM0-090006 | DUAL GEAR | 1 | |
| E09-10 | ODM0-090005 | AXLE, DUAL GEAR | 1 | |
| E09-11 | ODM0-093000 | STARTING MOTOR | 1 | |
| E09-12 | 0010-021017-0010 | BOLT M6x25 | 2 | |

E16 BALANCER SHAFT



| NO. | CODE | EN DESCRIPTION | QTY | REMARKS |
|--------|-------------------|----------------------------------|-----|---------|
| E16-01 | ODM0-160002 | WASHER 20x5x1.5 | 1 | |
| E16-02 | ODM0-162000-00020 | DRIVEN GEAR ASSY, BALANCER SHAFT | 1 | |
| E16-03 | ODM0-160000-10020 | BALANCER SHAFT ASSY | 1 | |

E17-B THROTTLE & INJECTOR



| NO. | CODE | EN DESCRIPTION | QTY | REMARKS |
|----------|-------------------|--------------------------------|-----|---------|
| E17-B-01 | ODM#-170030-1100 | THROTTLE BODY ASSY | 1 | |
| E17-B-02 | ODM0-171000 | FUEL INJECTOR | 1 | |
| E17-B-03 | ODM0-173002 | CIRCLIP | 1 | |
| E17-B-04 | ODM0-173001 | INJECTOR CAP | 1 | |
| E17-B-05 | 0700-012013-00001 | BOLT M5x12 | 1 | |
| E17-B-06 | ODM0-022300 | CLAMP, CONNECTING PIPE | 1 | |
| E17-B-07 | ODM0-022006 | CONNECTING PIPE, THROTTLE BODY | 1 | |
| E17-B-08 | 0A80-173100 | THROTTLE POSITION SENSOR | 1 | |
| E17-B-09 | OJY0-175000 | T-MAP | 1 | |
| E17-B-10 | ODM0-173200-10000 | STEPPER MOTOR | 1 | |